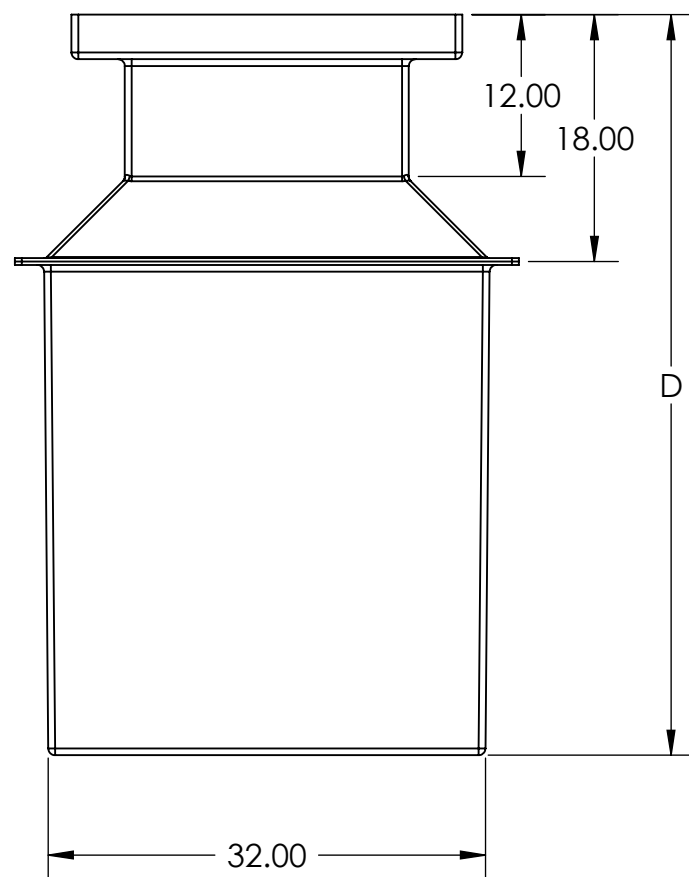
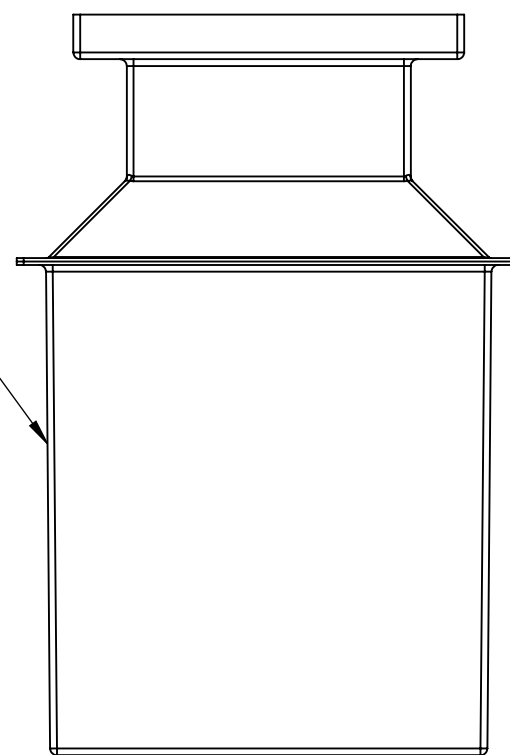


TOP VIEW

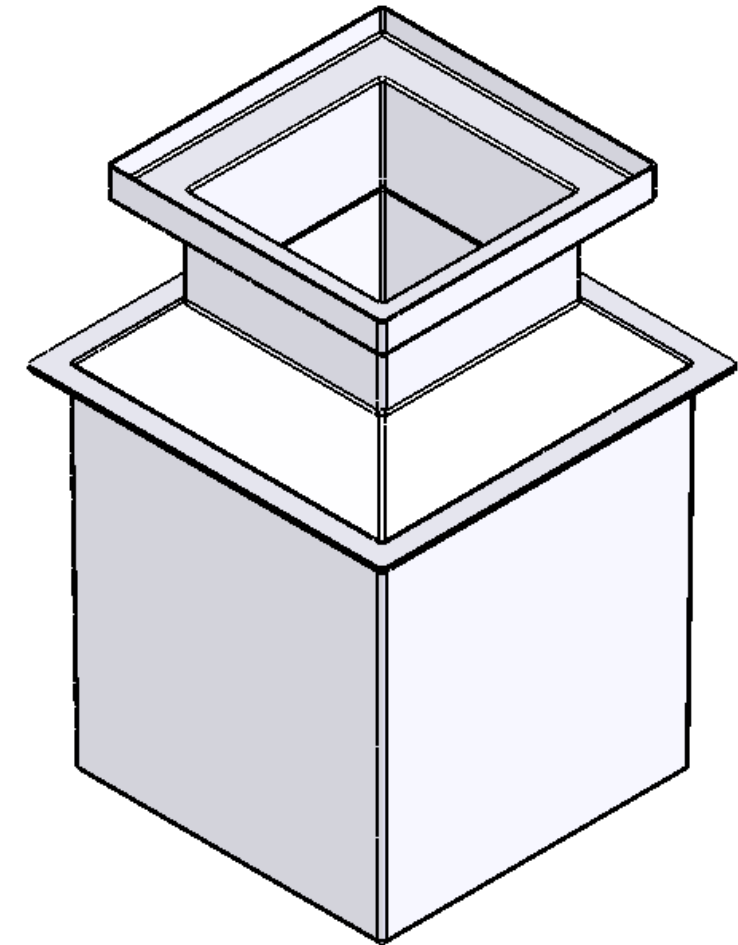


FRONT VIEW

.25 IN FIBERGLASS



SIDE VIEW



ISOMETRIC VIEW

STANDARD PITS	D
20X20-32X32-48D	48.00
20X20-32X32-54D	54.00
20X20-32X32-60D	60.00
20X20-32X32-66D	66.00
20X20-32X32-72D	72.00
CUSTOM DESIGNS AVAILABLE. CALL FOR DETAILS.	



APPROVALS	DATE
DRAWN DLL	11-20-07
CHECKED CDM	11-20-07
APPROVED CDM	11-20-07
SHEET 1 OF 1	
SCALE: 1:14	SIZE: B

USS, INC.
 PHONE: (260) 693-1172 FAX: (260) 693-1178
 WEB SITE: WWW.USSPECIALISTS.COM

20X20-32X32

3 VIEW WITH ISO

THE INFORMATION ON THIS DRAWING IS PROPRIETARY AND IS NOT TO BE REVEALED TO THIRD PARTIES WITHOUT WRITTEN CONSENT OF A CORPORATE OFFICER OF USS, INC.