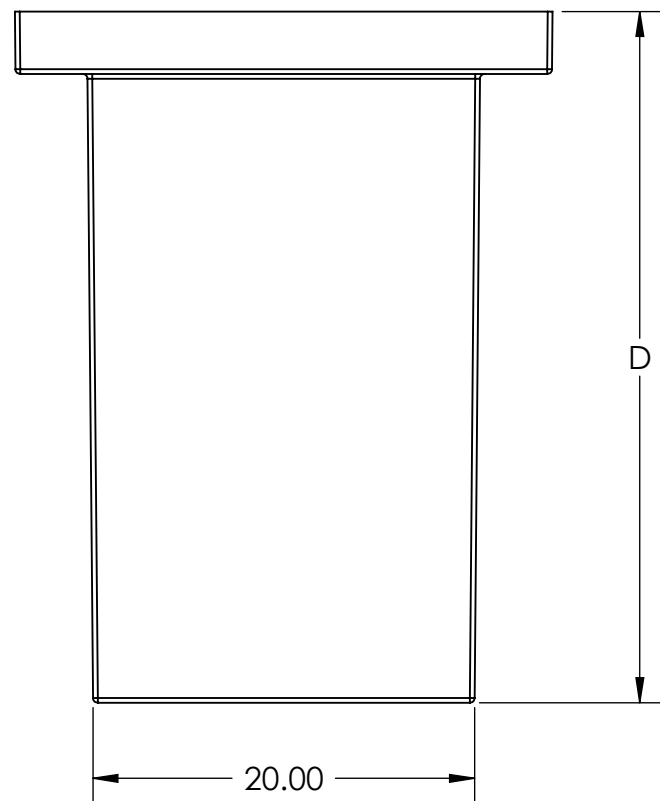
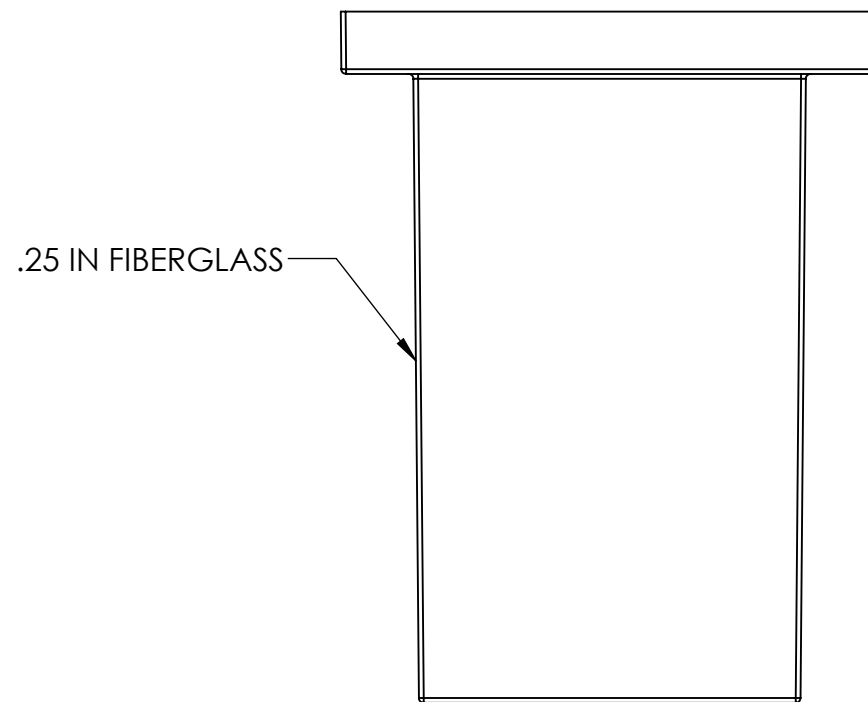


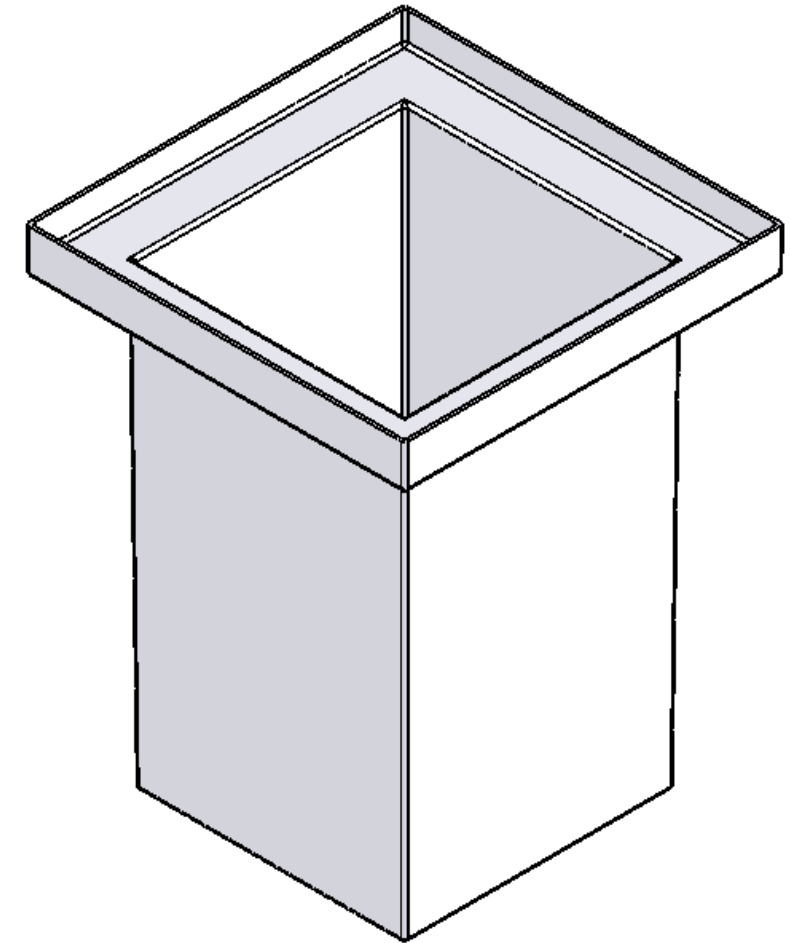
TOP VIEW



FRONT VIEW



SIDE VIEW



ISOMETRIC VIEW

STANDARD PITS	D
20X20-12D	12.00
20X20-18D	18.00
20X20-24D	24.00
20X20-30D	30.00
20X20-36D	36.00
CUSTOM DESIGNS AVAILABLE. CALL FOR DETAILS	



APPROVALS	DATE
DRAWN DLL	11-26-07
CHECKED CDM	11-26-07
APPROVED CDM	11-26-07
SHEET 1 OF 1	
SCALE: 1:10	SIZE: B

USS, INC.
 PHONE: (260) 693-1172 FAX: (260) 693-1178
 WEB SITE: WWW.USSPECIALISTS.COM

20X20

3 VIEW WITH ISO

THE INFORMATION ON THIS DRAWING IS PROPRIETARY AND IS NOT TO BE REVEALED TO THIRD PARTIES WITHOUT WRITTEN CONSENT OF A CORPORATE OFFICER OF USS, INC.