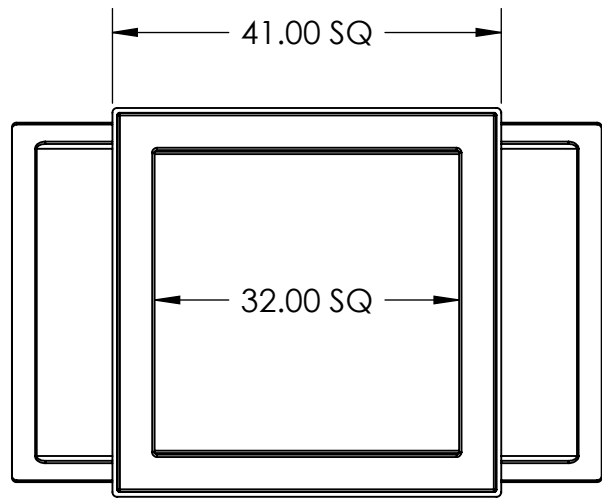
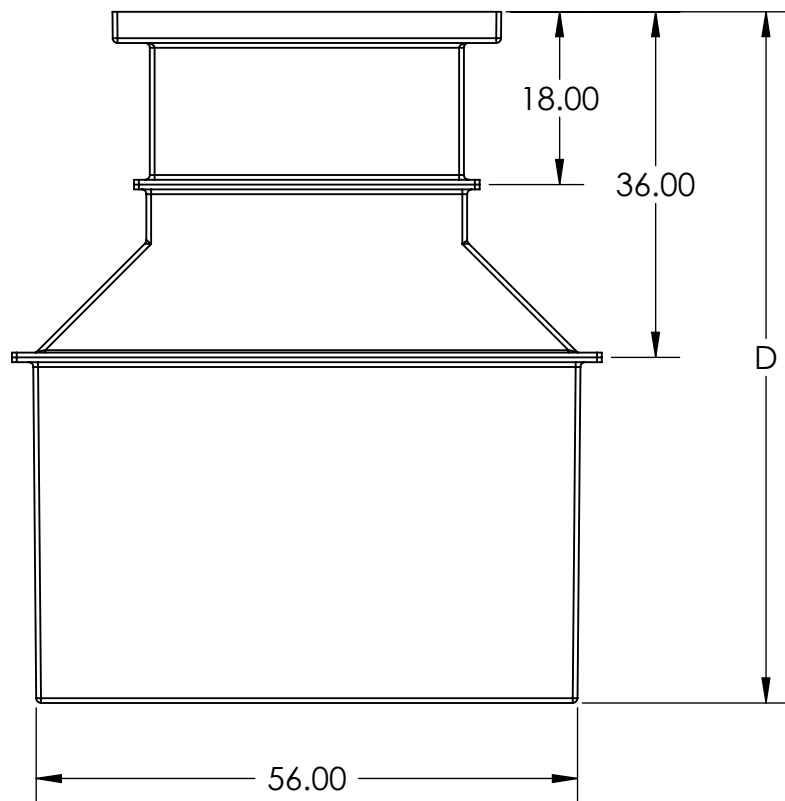


STANDARD PITS	D
32X32-32X56-72D	72.00
32X32-32X56-84D	84.00
32X32-32X56-96D	96.00
32X32-32X56-108D	108.00
32X32-32X56-120D	120.00
CUSTOM DESIGNS AVAILABLE CALL FOR DETAILS	

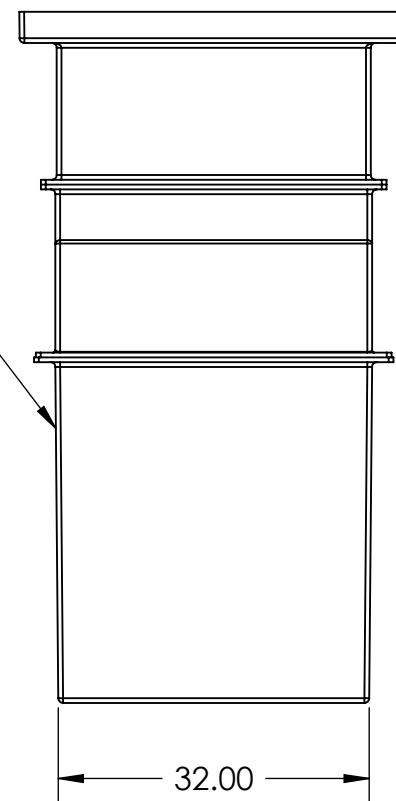


TOP VIEW

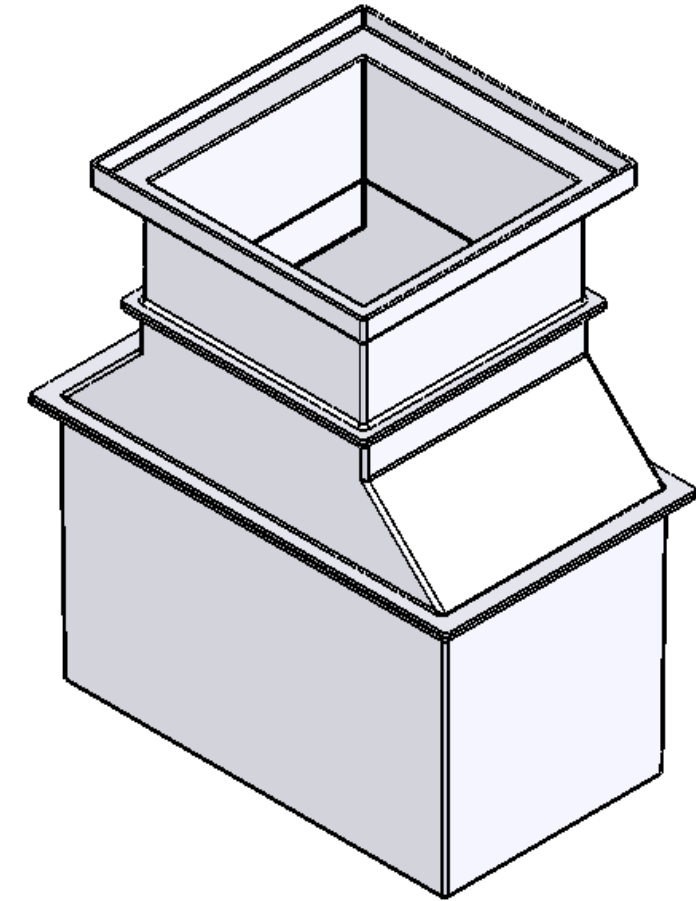


FRONT VIEW

.50 IN FIBERGLASS



SIDE VIEW



ISOMETRIC VIEW



APPROVALS	DATE
DRAWN DLL	11-20-07
CHECKED CDM	11-21-07
APPROVED CDM	11-20-07
SHEET 1 OF 1	
SCALE: 1:20	SIZE: B

USS, INC.
 PHONE: (260) 693-1172 FAX: (260) 693-1178
 WEB SITE: WWW.USSPECIALISTS.COM

32X32-32X56

3 VIEW WITH ISO

THE INFORMATION ON THIS DRAWING IS PROPRIETARY AND IS NOT TO BE REVEALED TO THIRD PARTIES WITHOUT WRITTEN CONSENT OF A CORPORATE OFFICER OF USS, INC.