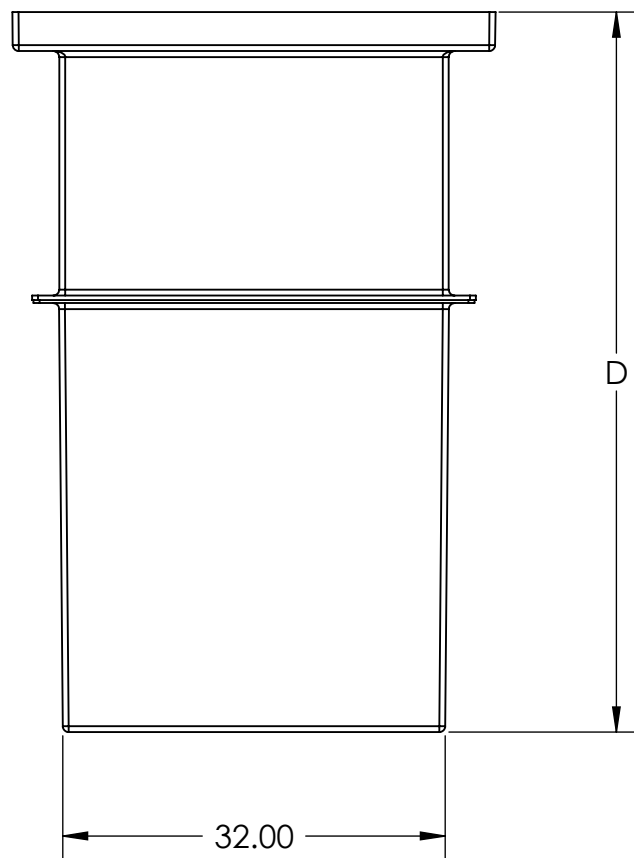
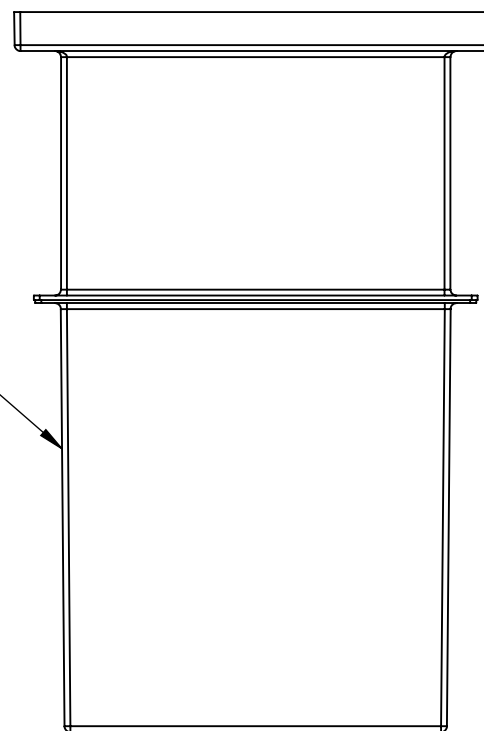


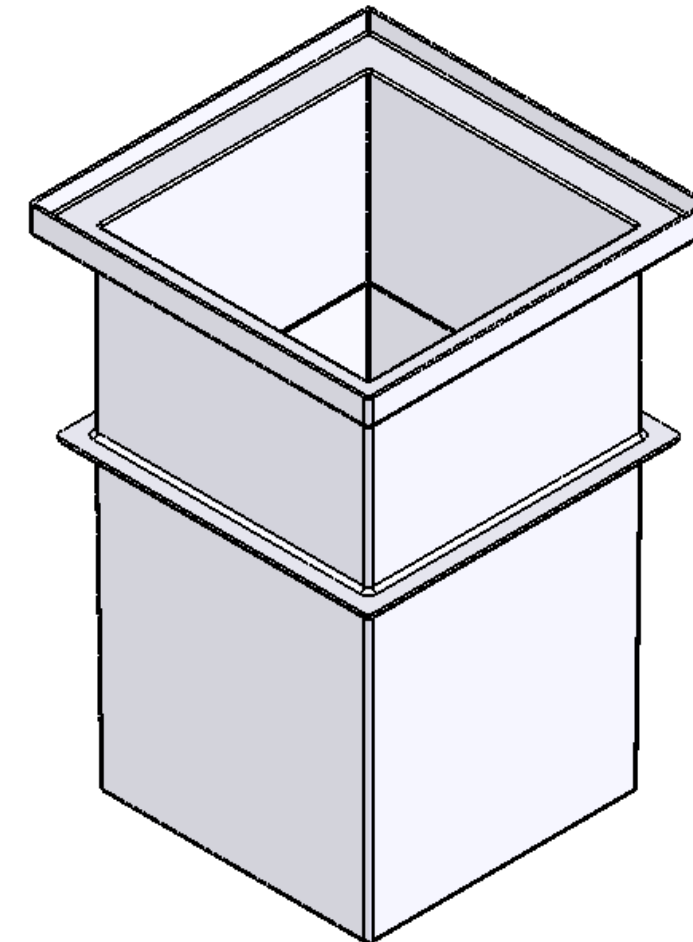
TOP VIEW



FRONT VIEW



SIDE VIEW



ISOMETRIC VIEW

STANDARD PITS	D
32X32-36D	36.00
32X32-48D	48.00
32X32-60D	60.00
32X32-72D	72.00
CUSTOM DESIGNS AVAILABLE CALL FOR DETAILS	



Utility Systems Specialists

APPROVALS	DATE
DRAWN DLL	11-26-07
CHECKED CDM	11-26-07
APPROVED CDM	11-26-07
SHEET 1 OF 1	
SCALE: 1:16	SIZE: B

**USS, INC.**  
PHONE: (260) 693-1172 FAX: (260) 693-1178  
WEB SITE: WWW.USSPECIALISTS.COM

**32X32**

**3 VIEW WITH ISO**

THE INFORMATION ON THIS DRAWING IS PROPRIETARY AND IS NOT TO BE REVEALED TO THIRD PARTIES WITHOUT WRITTEN CONSENT OF A CORPORATE OFFICER OF USS, INC.