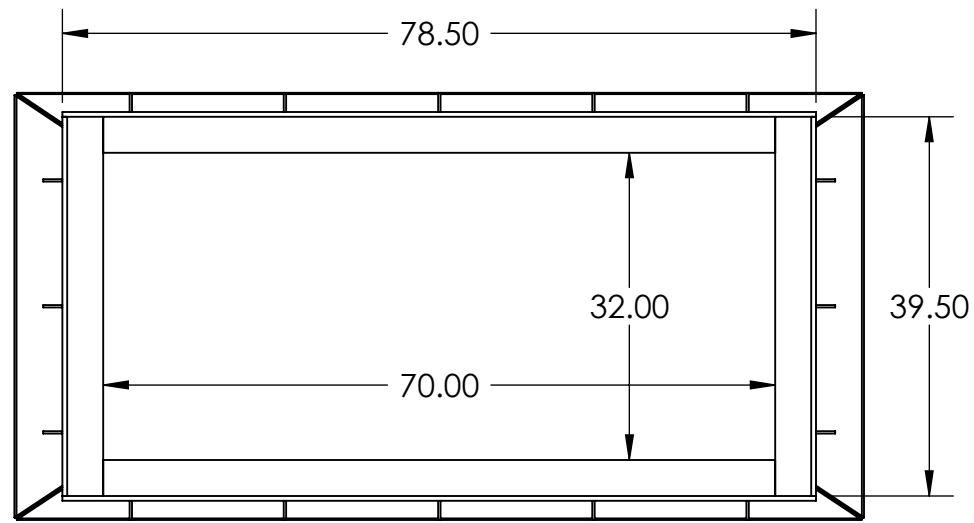
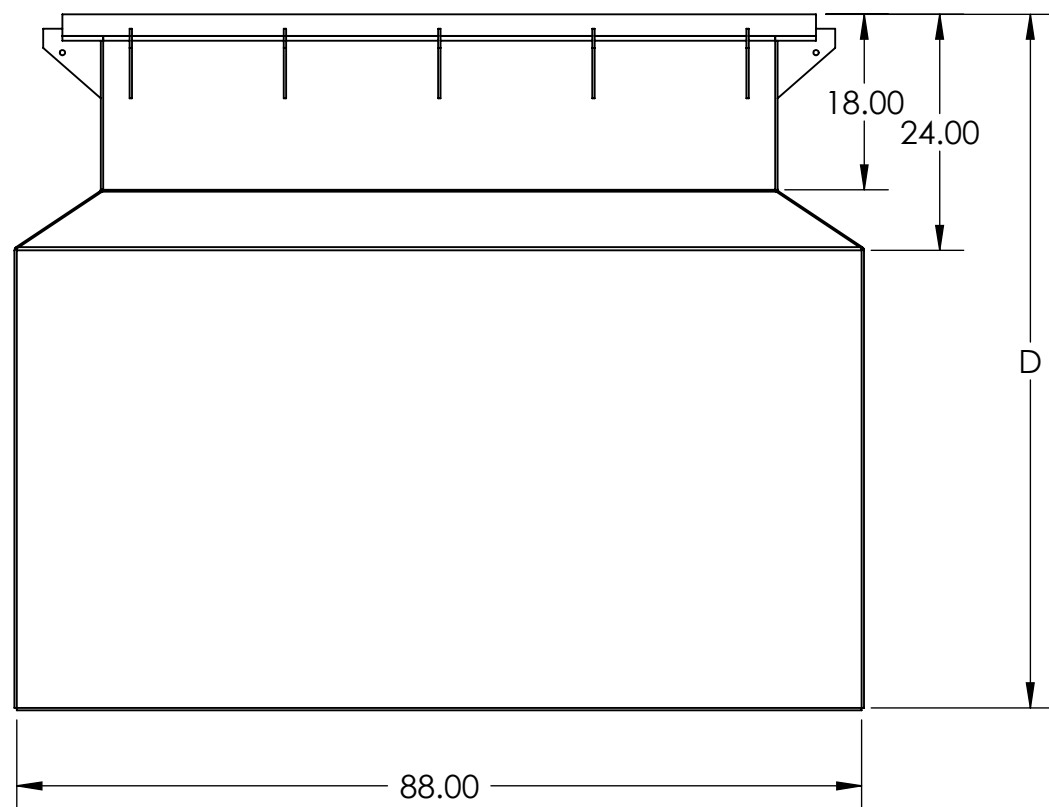


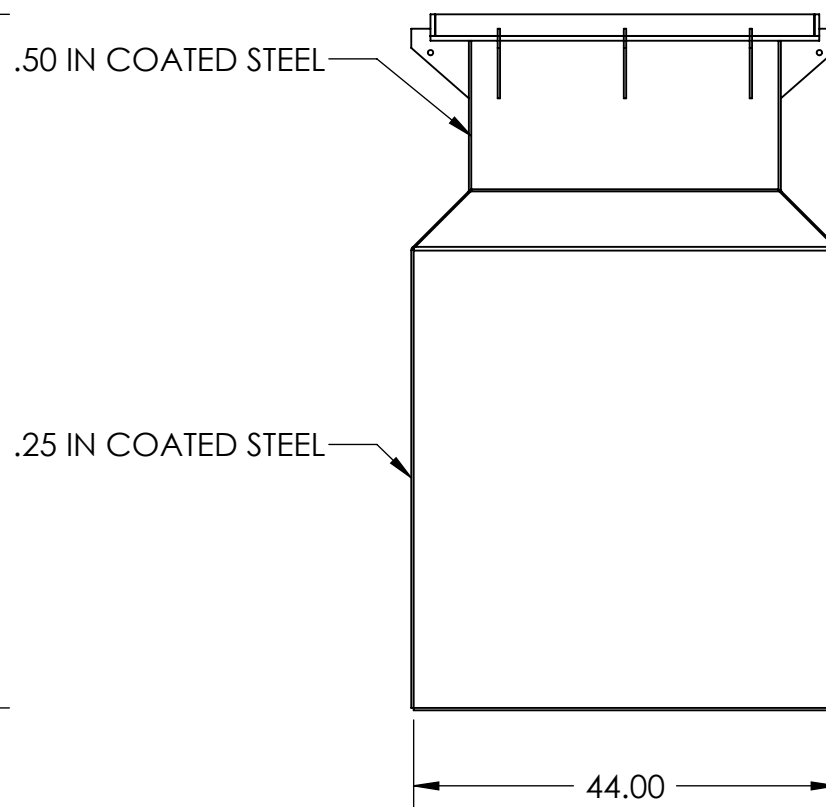
STANDARD PITS	D
32X70-44X88-48D	48.00
32X70-44X88-60D	60.00
32X70-44X88-72D	72.00
32X70-44X88-84D	84.00
32X70-44X88-96D	96.00
CUSTOM DESIGNS AVAILABLE. CALL FOR DETAILS.	



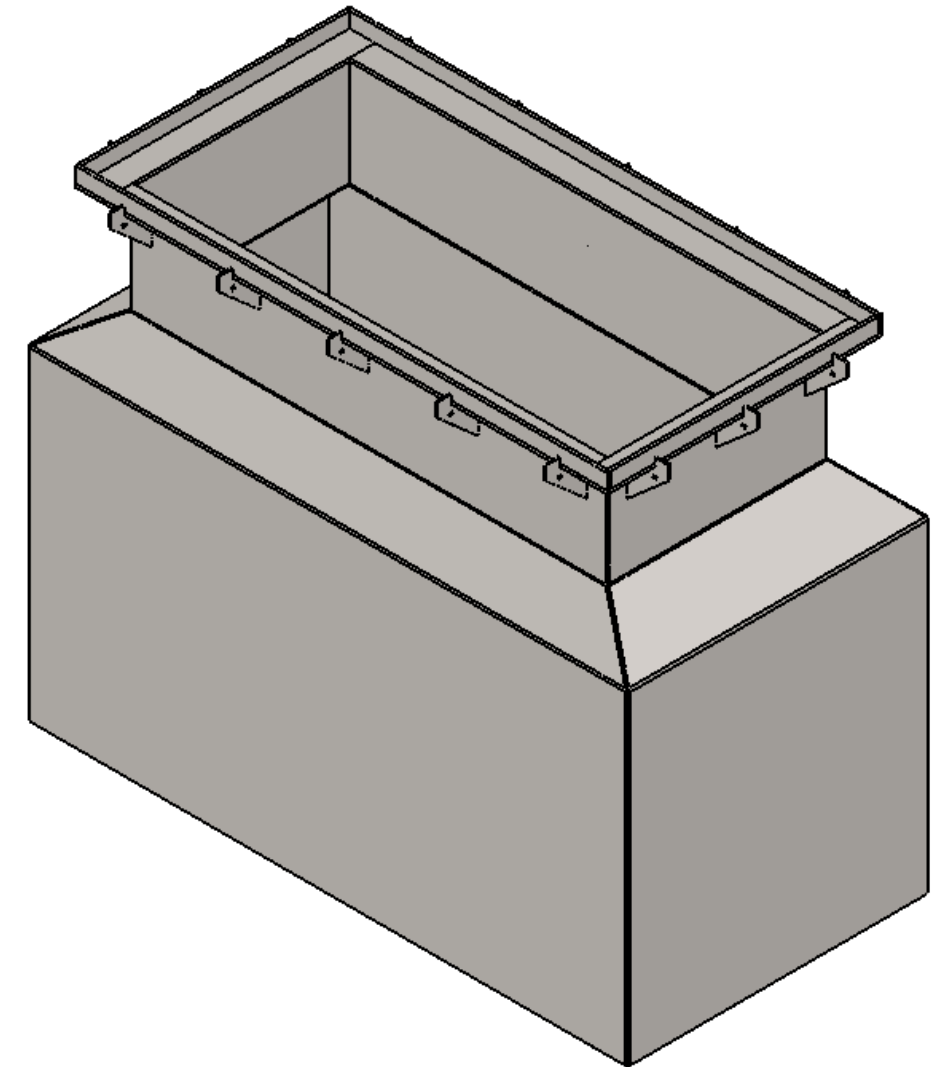
TOP VIEW



FRONT VIEW



SIDE VIEW



ISOMETRIC VIEW



APPROVALS	DATE
DRAWN	
CHECKED	
APPROVED	
SHEET 1 OF 1	
SCALE: 1:20	SIZE: B

USS, INC.
 PHONE: (260) 693-1172 FAX: (260) 693-1178
 WEB SITE: WWW.USSPECIALISTS.COM

Sheet1

THE INFORMATION ON THIS DRAWING IS PROPRIETARY AND IS NOT TO BE REVEALED TO THIRD PARTIES WITHOUT WRITTEN CONSENT OF A CORPORATE OFFICER OF USS, INC.