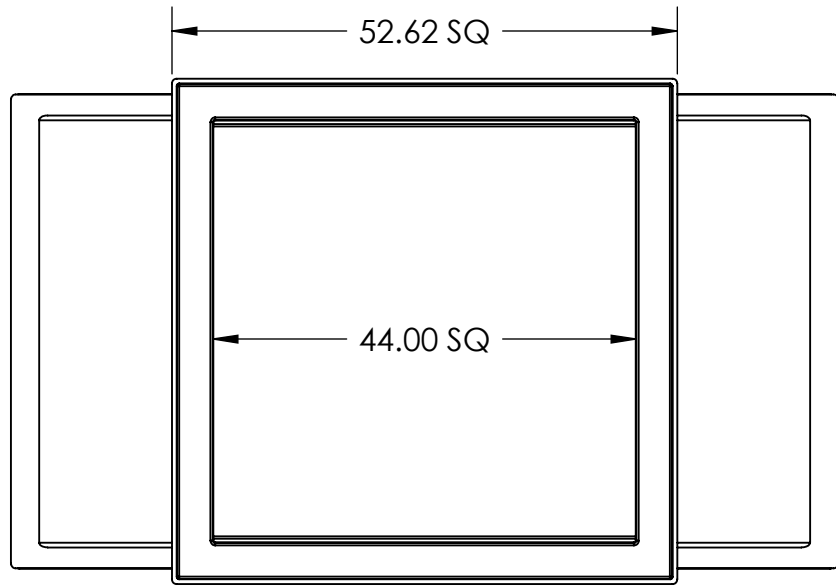
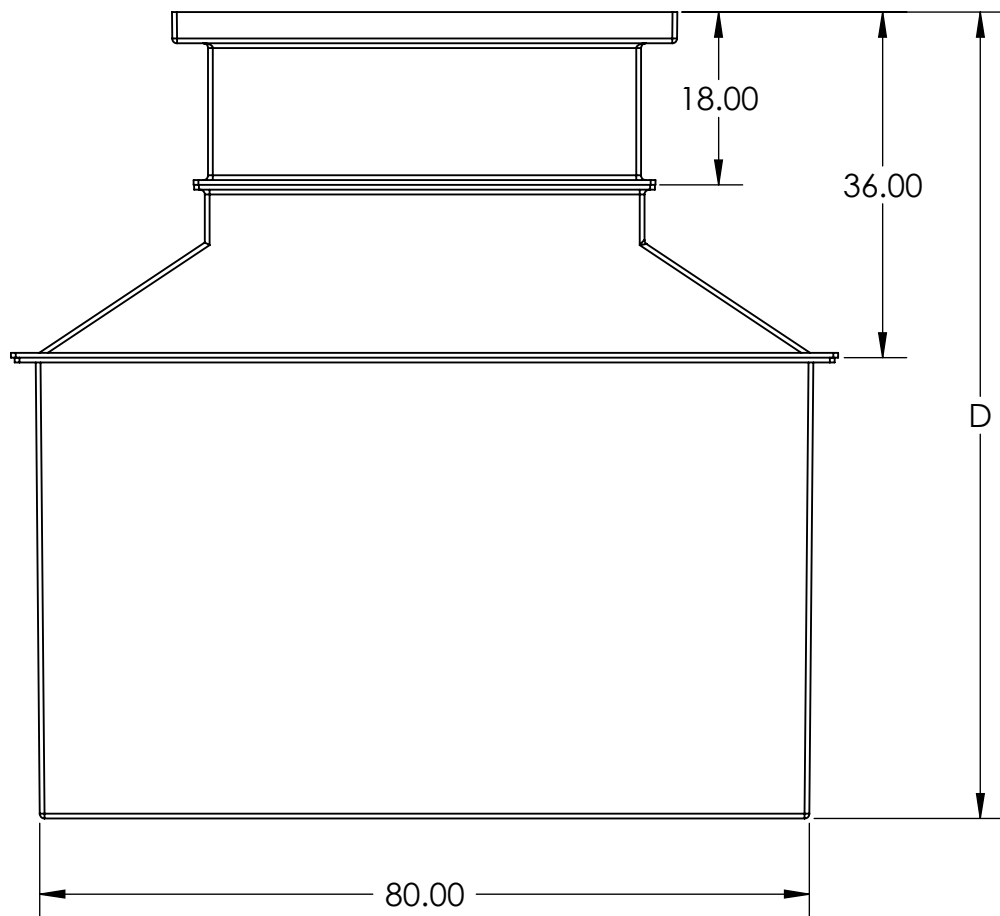


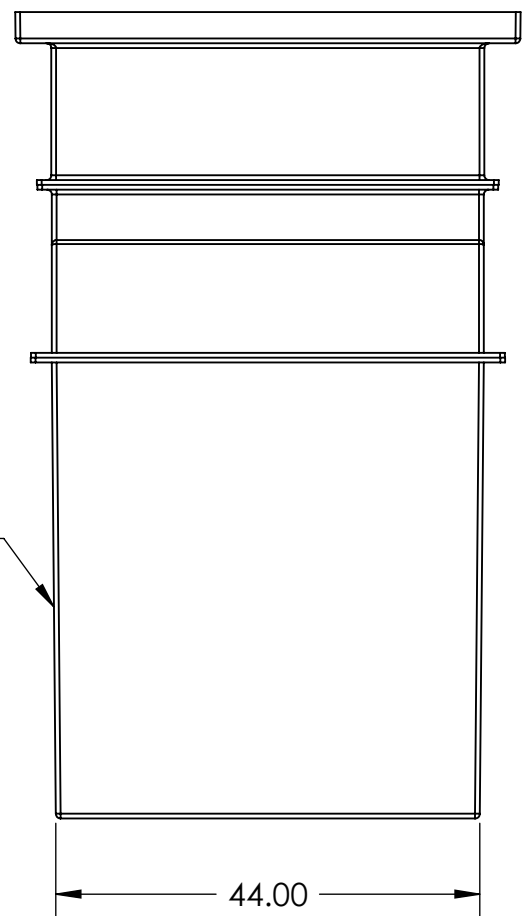
STANDARD PITS	D
44X44-44X80-72D	72.00
44X44-44X80-84D	84.00
44X44-44X80-96D	96.00
44X44-44X80-108D	108.00
44X44-44X80-120D	120.00
CUSTOM DESIGNS AVAILABLE. CALL FOR DETAILS.	



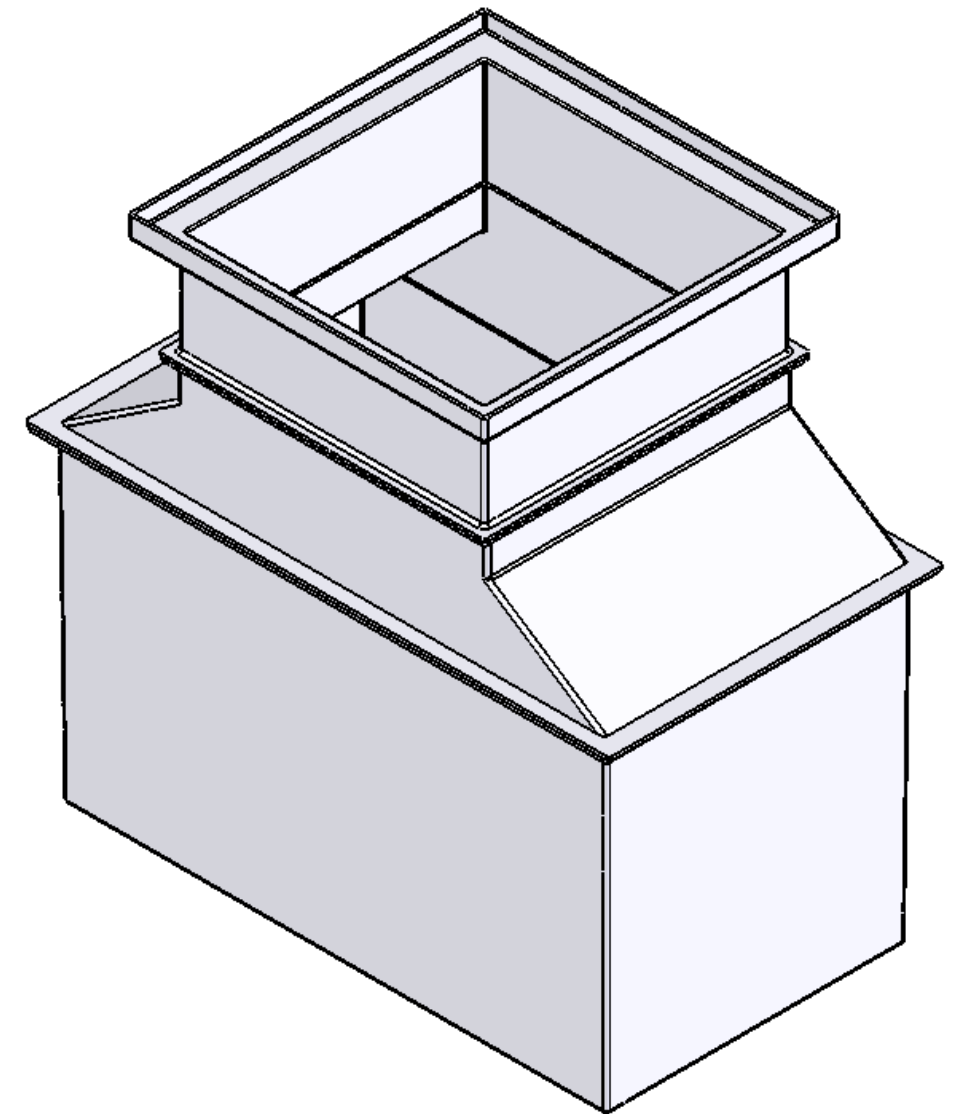
TOP VIEW



FRONT VIEW



SIDE VIEW



ISOMETRIC VIEW



APPROVALS	DATE
DRAWN DLL	03-21-08
CHECKED CDM	03-21-08
APPROVED CDM	03-21-08
SHEET 1 OF 1	
SCALE: 1:20	SIZE: B

**USS, INC.**  
 PHONE: (260) 693-1172 FAX: (260) 693-1178  
 WEB SITE: WWW.USSPECIALISTS.COM

**44X44-44X80**

**3 VIEW WITH ISO**

THE INFORMATION ON THIS DRAWING IS PROPRIETARY AND IS NOT TO BE REVEALED TO THIRD PARTIES WITHOUT WRITTEN CONSENT OF A CORPORATE OFFICER OF USS, INC.