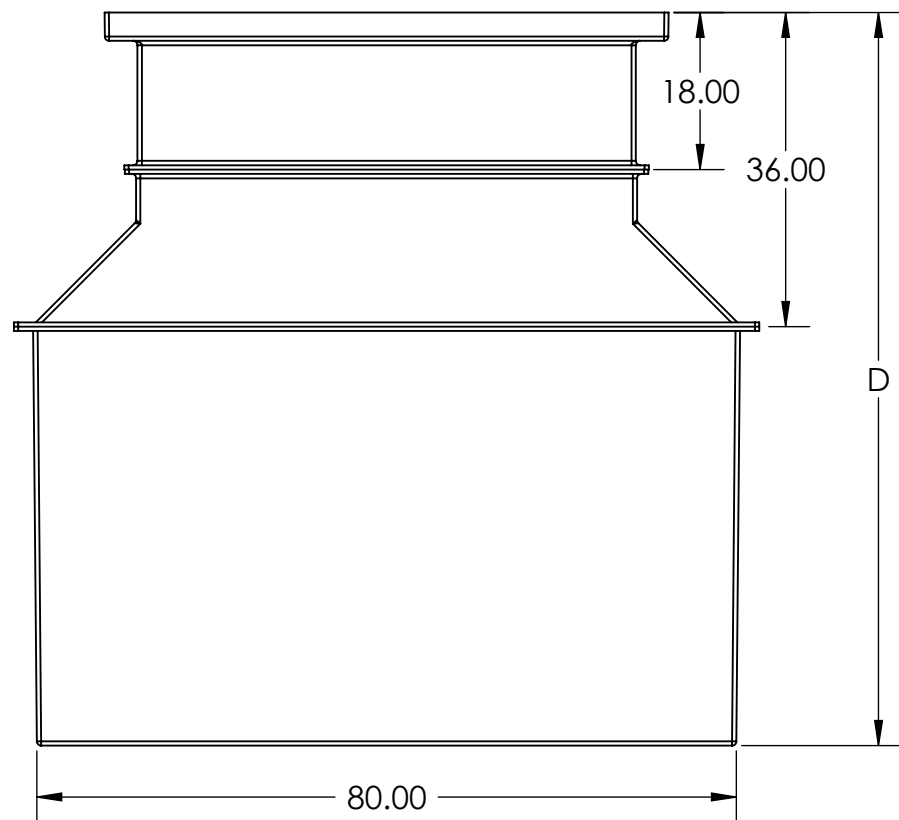
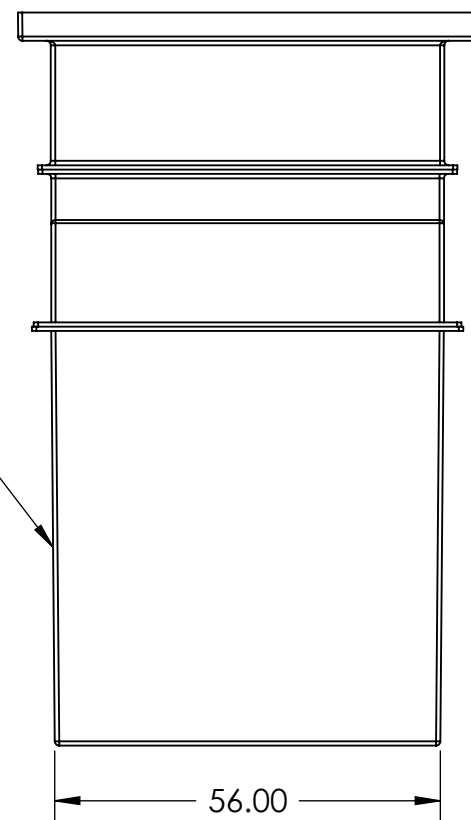


TOP VIEW

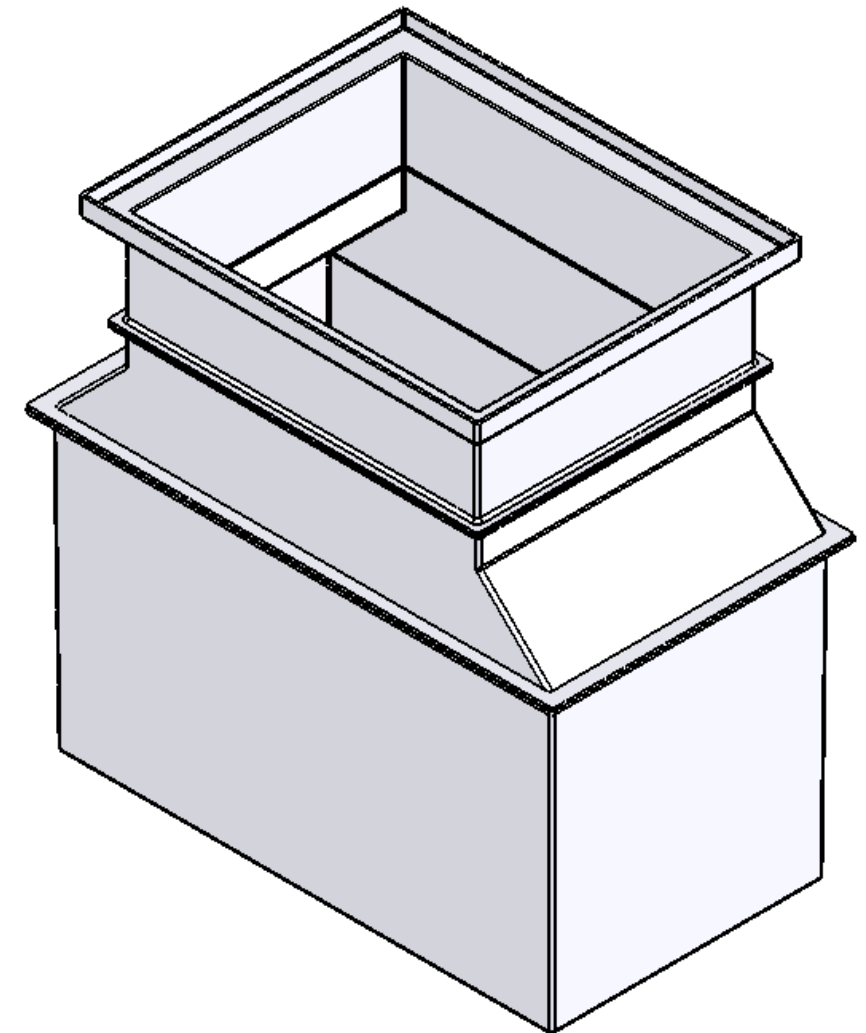


FRONT VIEW

.50 IN FIBERGLASS



SIDE VIEW



ISOMETRIC VIEW

STANDARD PITS	D
44X56-44X80-72D	72.00
44X56-44X80-84D	84.00
44X56-44X80-96D	96.00
44X56-44X80-108D	108.00
44X56-44X80-120D	120.00
CUSTOM DESIGNS AVAILABLE. CALL FOR DETAILS.	



Utility Systems Specialists

APPROVALS	DATE
DRAWN DLL	03-21-08
CHECKED CDM	03-21-08
APPROVED CDM	03-21-08
SHEET 1 OF 1	
SCALE: 1:22	SIZE: B

USS, INC.
 PHONE: (260) 693-1172 FAX: (260) 693-1178
 WEB SITE: WWW.USSPECIALISTS.COM

44X56-44X80

3 VIEW WITH ISO

THE INFORMATION ON THIS DRAWING IS PROPRIETARY AND IS NOT TO BE REVEALED TO THIRD PARTIES WITHOUT WRITTEN CONSENT OF A CORPORATE OFFICER OF USS, INC.