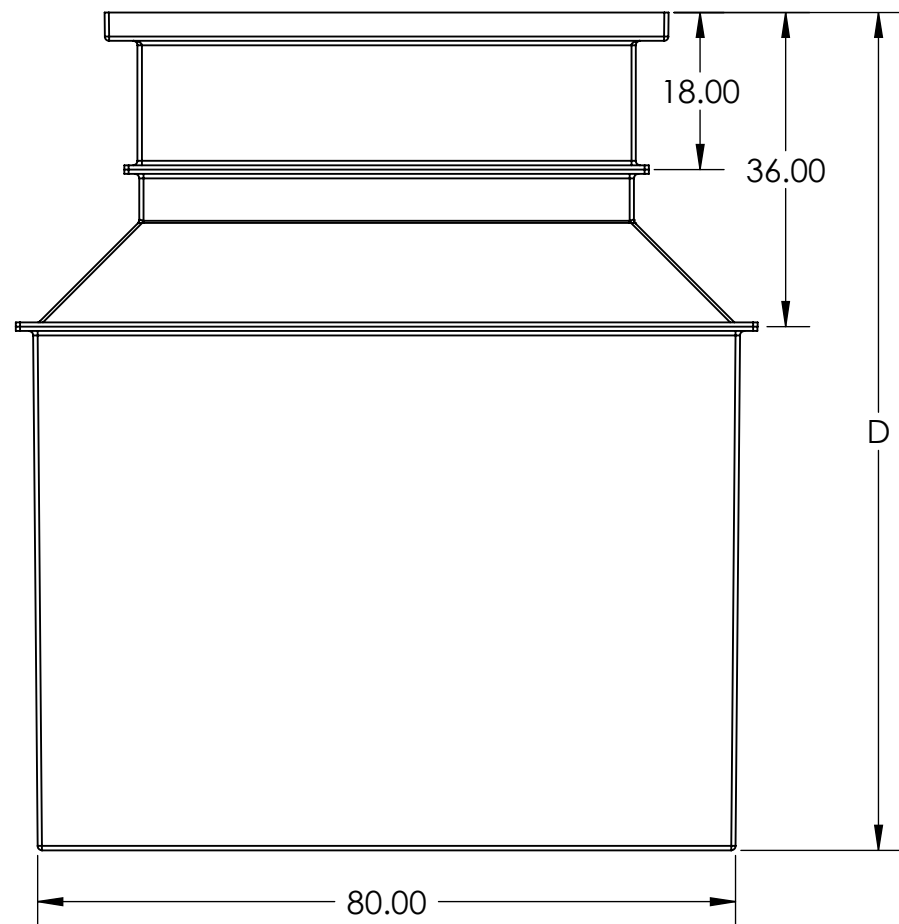
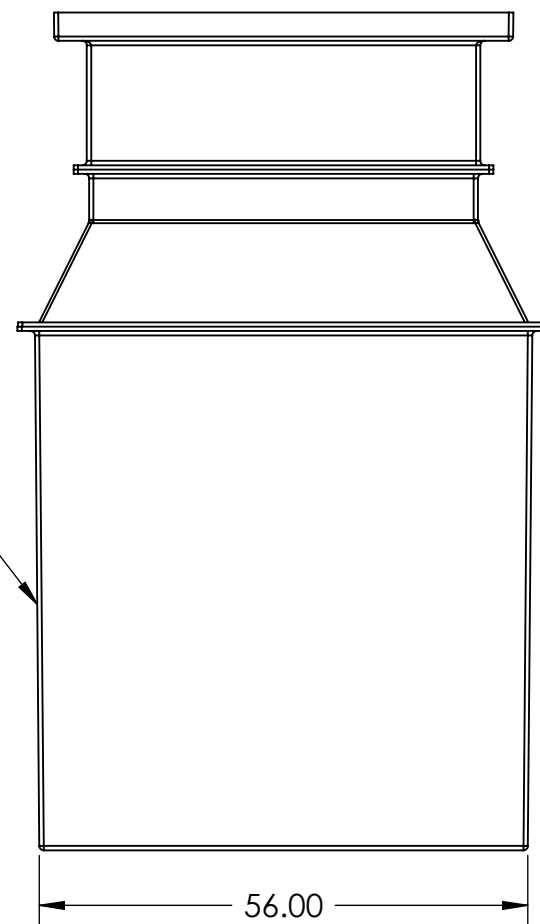


TOP VIEW



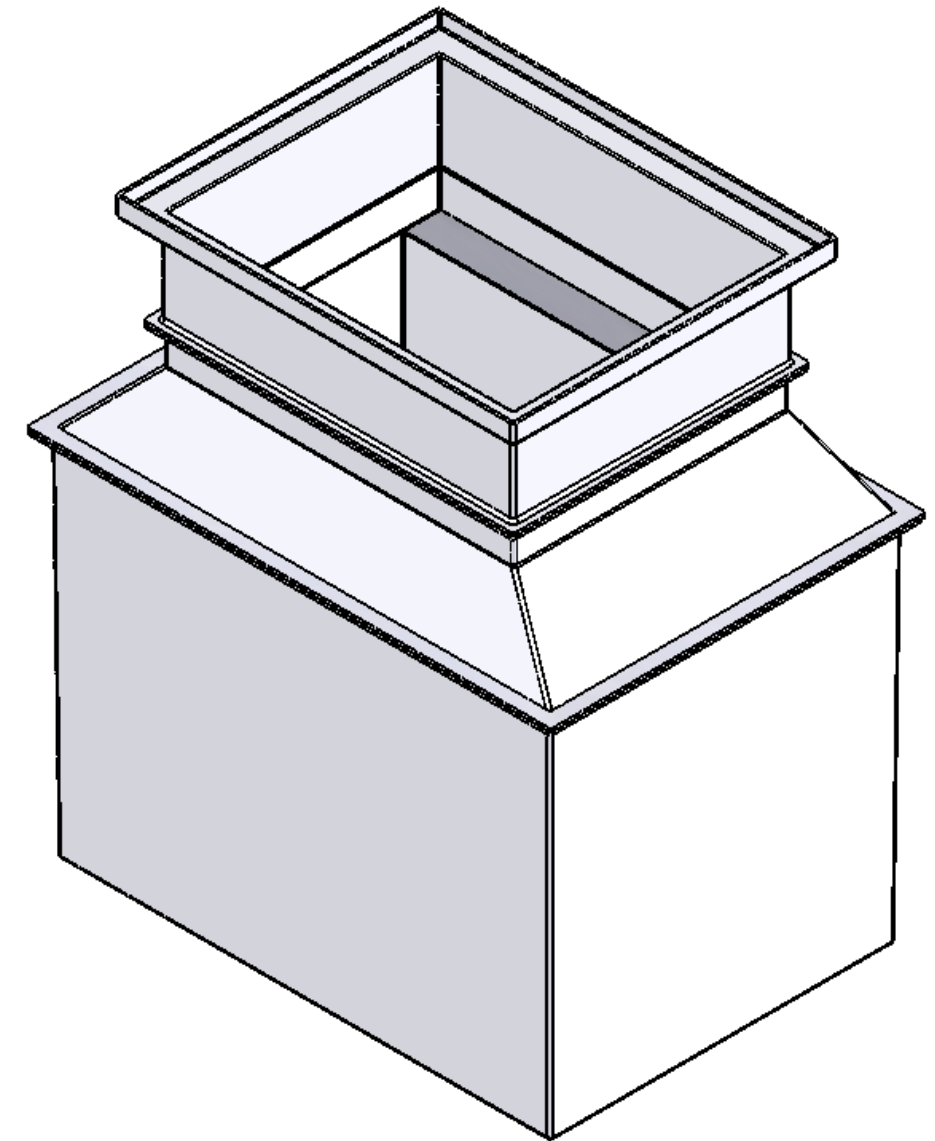
FRONT VIEW



SIDE VIEW

.50 IN FIBERGLASS

STANDARD PITS	D
44X56-56X80-72D	72.00
44X56-56X80-84D	84.00
44X56-56X80-96D	96.00
44X56-56X80-108D	108.00
44X56-56X80-120D	120.00
CUSTOM DESIGNS AVAILABLE. CALL FOR DETAILS.	



ISOMETRIC VIEW



APPROVALS	DATE
DRAWN DLL	11-26-07
CHECKED CDM	11-26-07
APPROVED CDM	11-26-07
SHEET 1 OF 1	
SCALE: 1:22	SIZE: B

USS, INC.
 PHONE: (260) 693-1172 FAX: (260) 693-1178
 WEB SITE: WWW.USSPECIALISTS.COM
44X56-56X80
3 VIEW WITH ISO
 THE INFORMATION ON THIS DRAWING IS PROPRIETARY AND IS NOT TO BE REVEALED TO THIRD PARTIES WITHOUT WRITTEN CONSENT OF A CORPORATE OFFICER OF USS, INC.