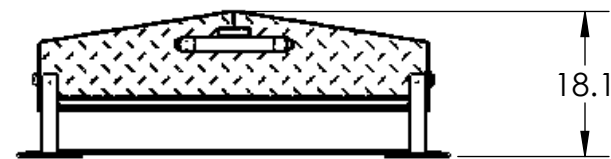
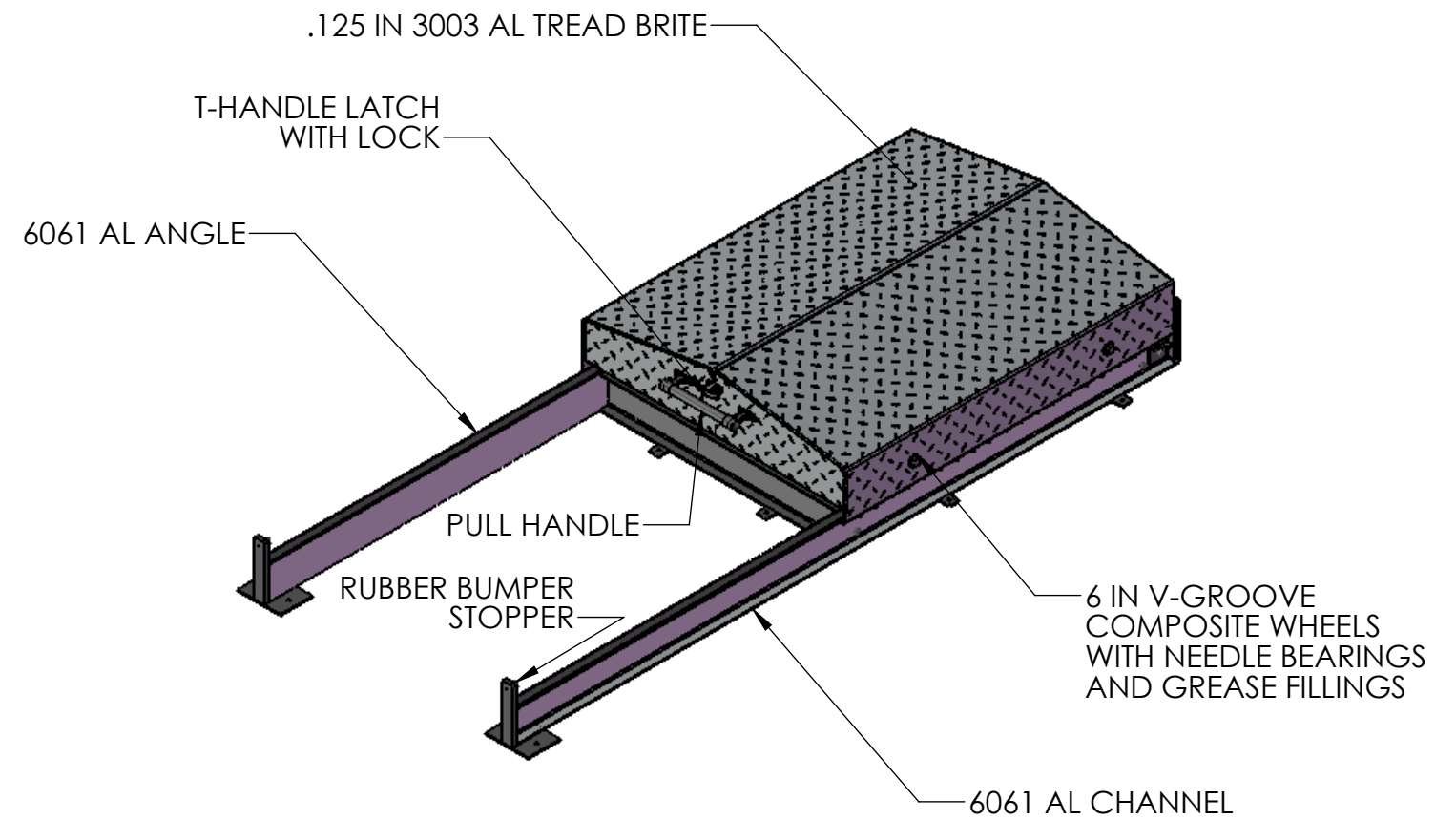


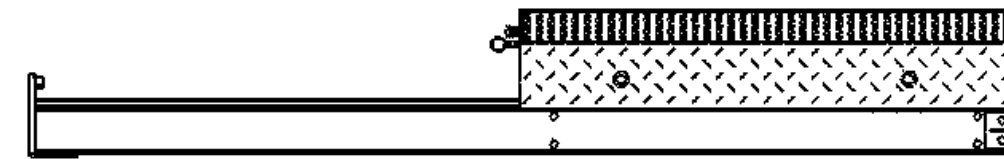
TOP VIEW



FRONT VIEW



ISOMETRIC VIEW



SIDE VIEW



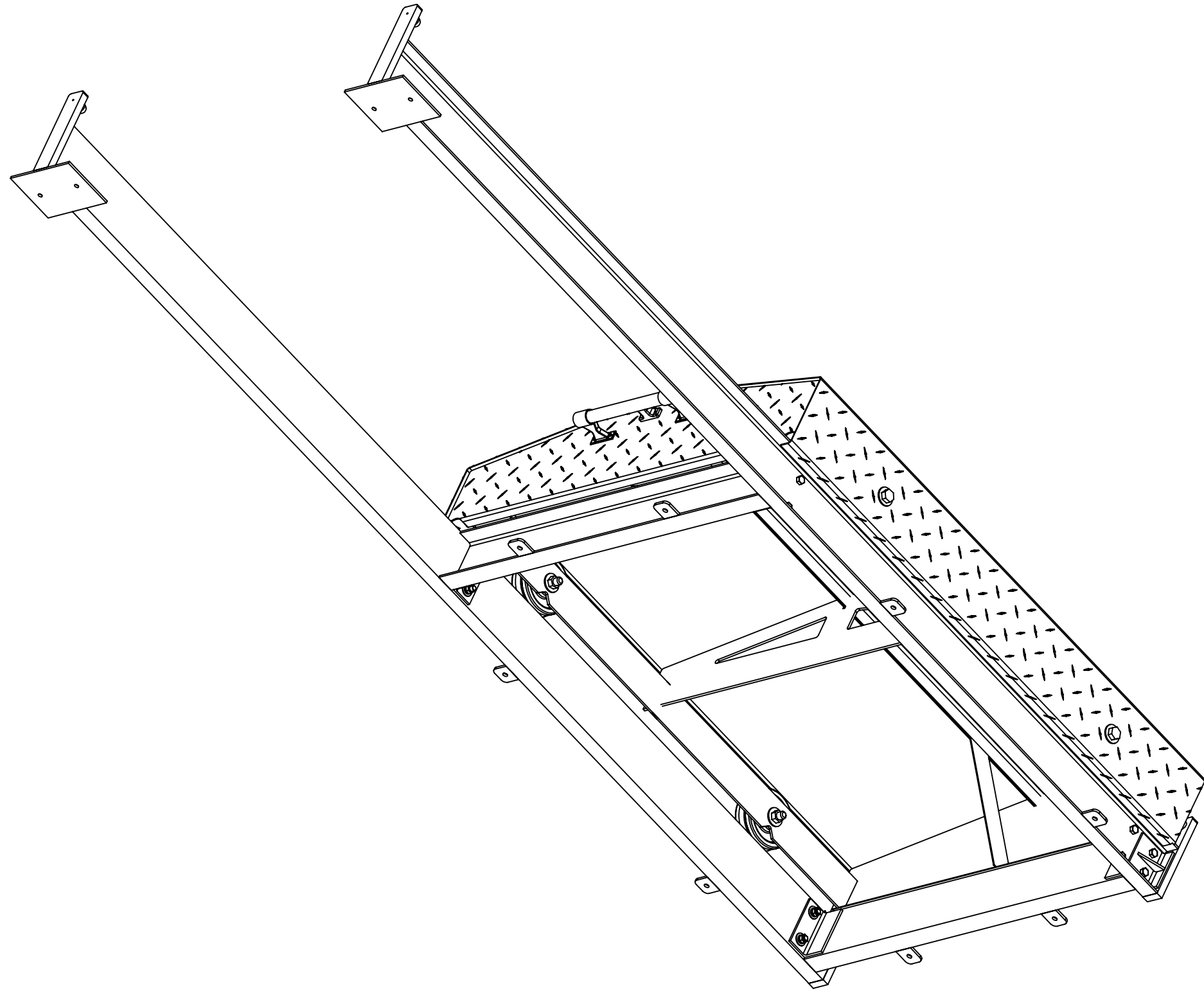
APPROVALS	DATE
DRAWN DLL	11-29-07
CHECKED CDM	11-29-07
APPROVED CDM	11-29-07
SHEET 1 OF 2	
SCALE: 1:24	SIZE: B

USS, INC.
 PHONE: (260) 693-1172 FAX: (260) 693-1178
 WEB SITE: WWW.USSPECIALISTS.COM

RC44X56

3 VIEW WITH ISO

THE INFORMATION ON THIS DRAWING IS PROPRIETARY AND IS NOT TO BE REVEALED TO THIRD PARTIES WITHOUT WRITTEN CONSENT OF A CORPORATE OFFICER OF USS, INC.



VIEW SHOWING COVER WITH SUPPORT TRUSS



Utility Systems Specialists

APPROVALS	DATE
DRAWN DLL	11-29-07
CHECKED CDM	11-29-07
APPROVED CDM	11-29-07
SHEET 2 OF 2	
SCALE: 1:12	SIZE: B

USS, INC.
 PHONE: (260) 693-1172 FAX: (260) 693-1178
 WEB SITE: WWW.USSPECIALISTS.COM

RC44X56

UNDERSIDE VIEW

THE INFORMATION ON THIS DRAWING IS PROPRIETARY AND IS NOT TO BE REVEALED TO THIRD PARTIES WITHOUT WRITTEN CONSENT OF A CORPORATE OFFICER OF USS, INC.