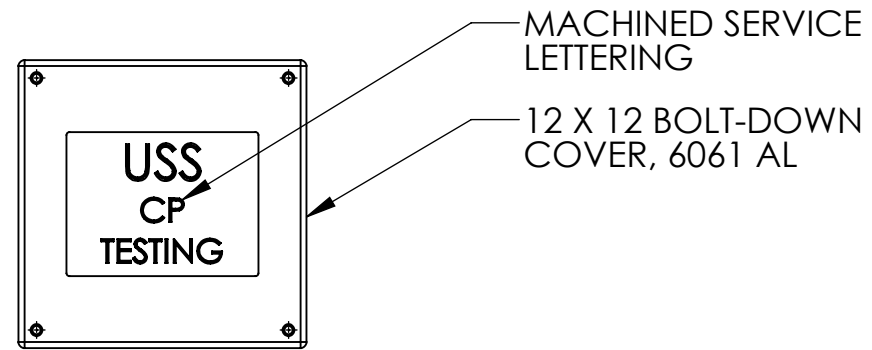
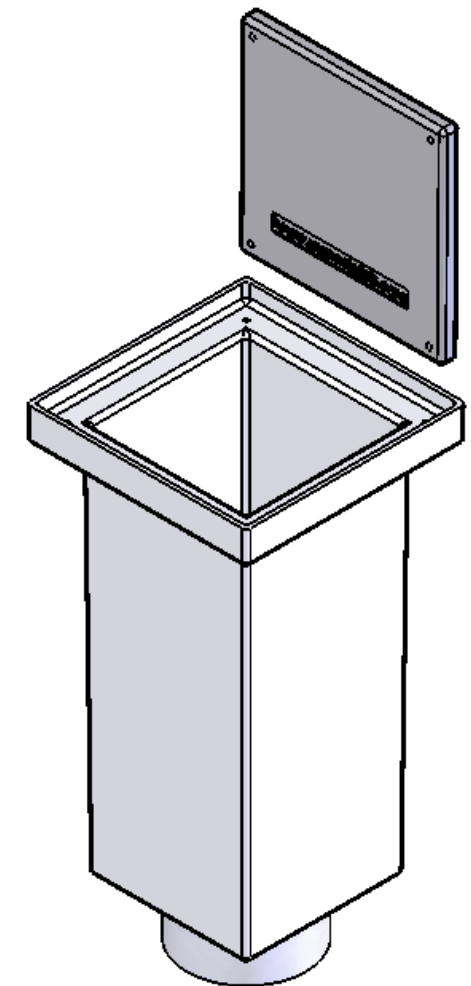


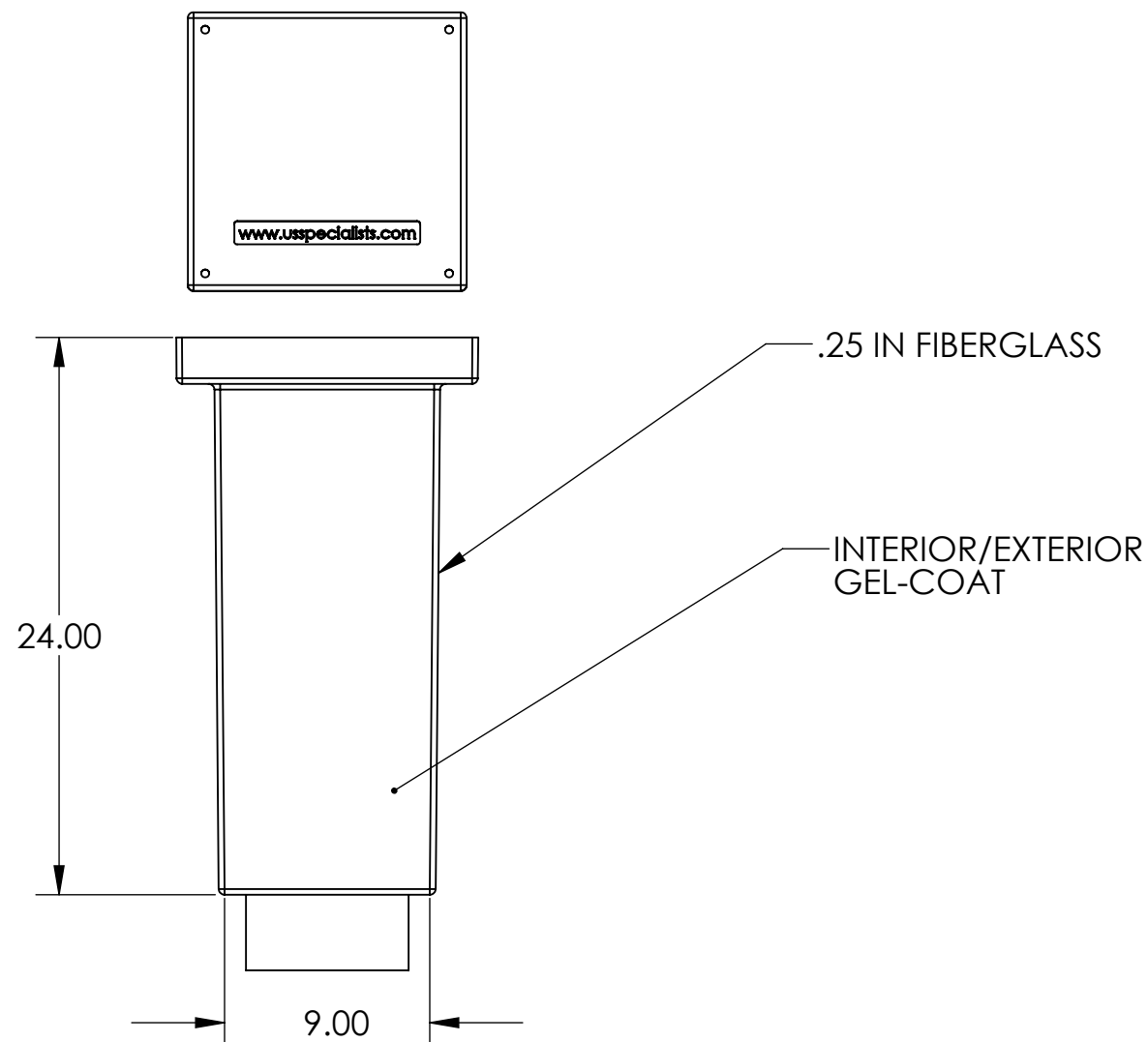
TOP VIEW



COVER VIEW



ISOMETRIC VIEW



FRONT VIEW



APPROVALS	DATE
DRAWN DLL	01-08-08
CHECKED CDM	01-08-08
APPROVED CDM	01-08-08
SHEET 1 OF 1	
SCALE: 1:8	SIZE: B

**USS, INC.**  
 PHONE: (260) 693-1172 FAX: (260) 693-1178  
 WEB SITE: WWW.USSPECIALISTS.COM

**USS12BD**  
**9X9-24D**  
**CP**

THE INFORMATION ON THIS DRAWING IS PROPRIETARY AND IS NOT TO BE REVEALED TO THIRD PARTIES WITHOUT WRITTEN CONSENT OF A CORPORATE OFFICER OF USS, INC.