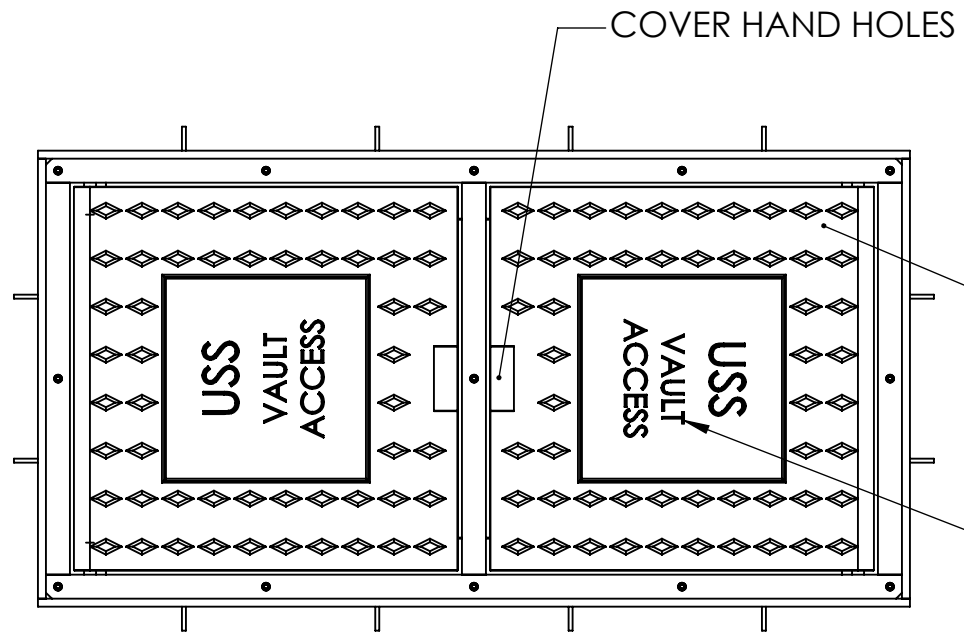
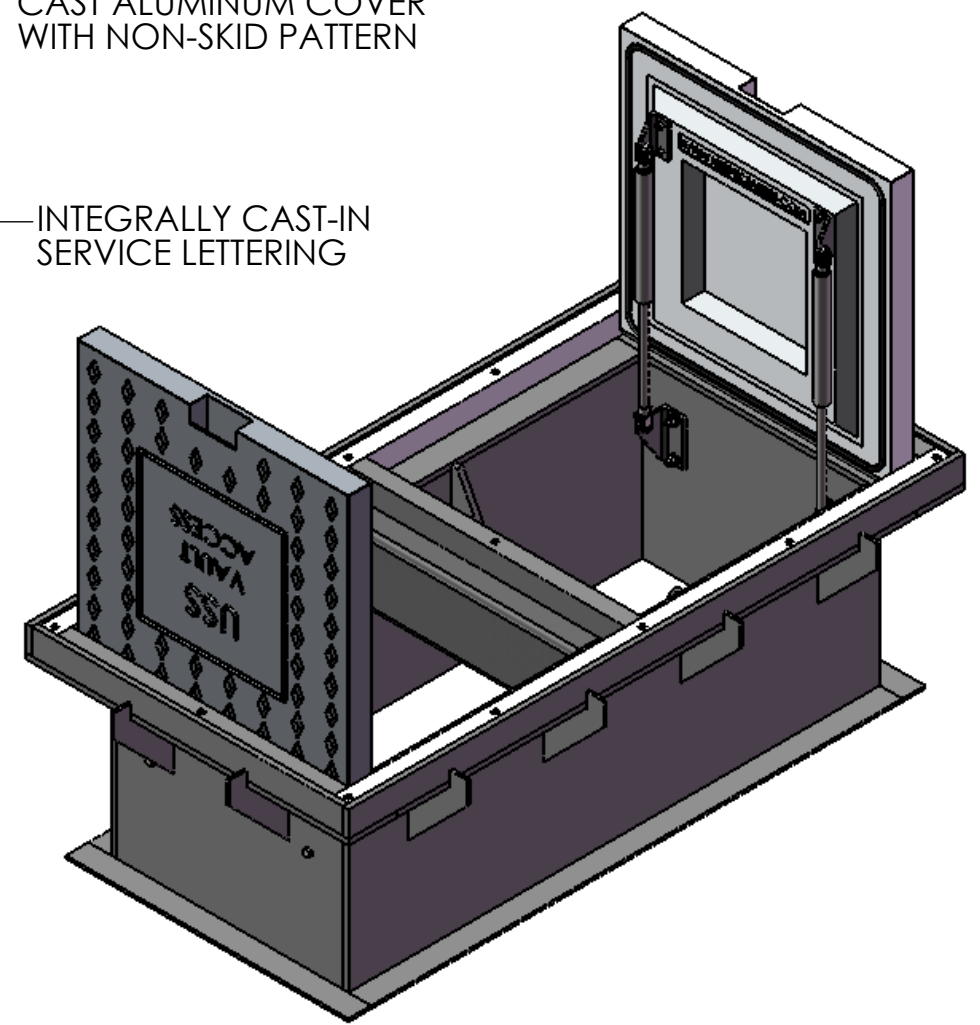


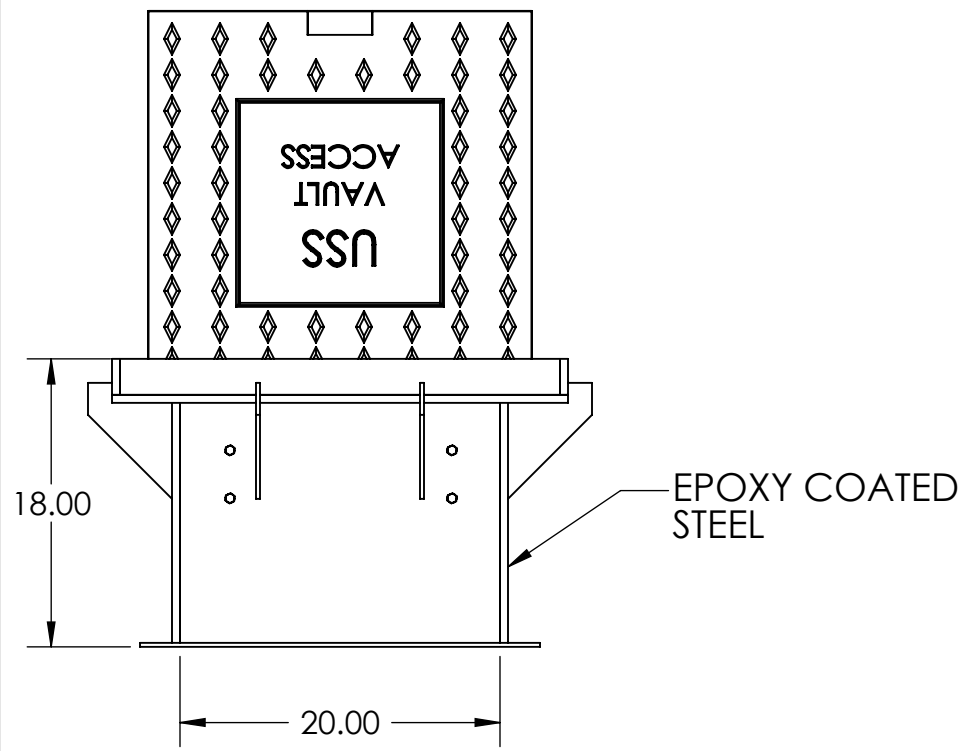
TOP VIEW



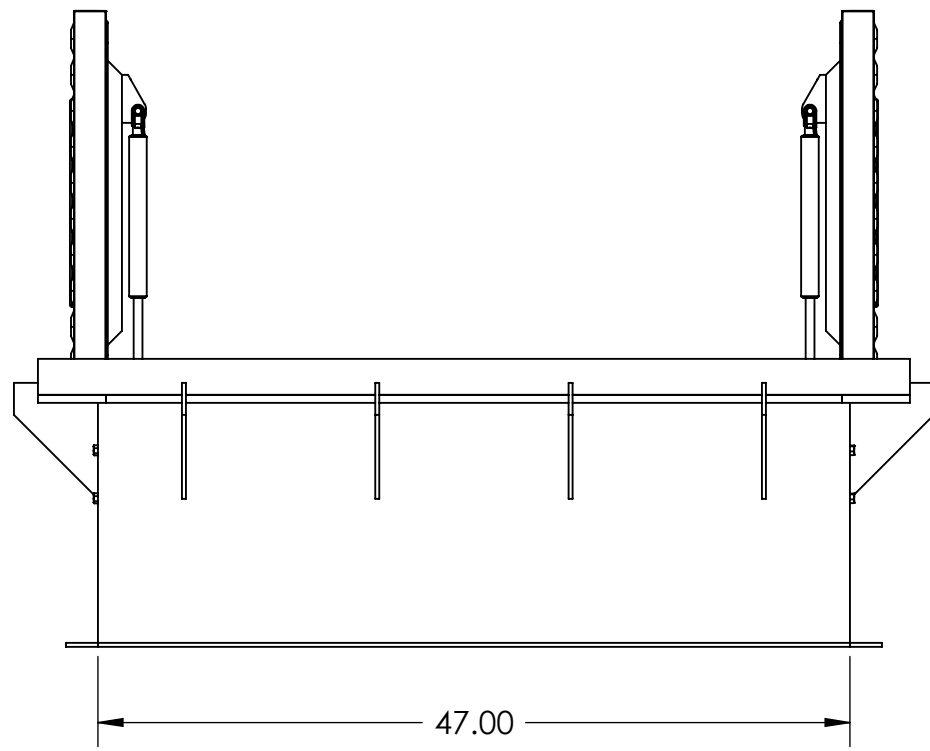
COVER VIEW



ISOMETRIC VIEW



FRONT VIEW



RIGHT SIDE VIEW

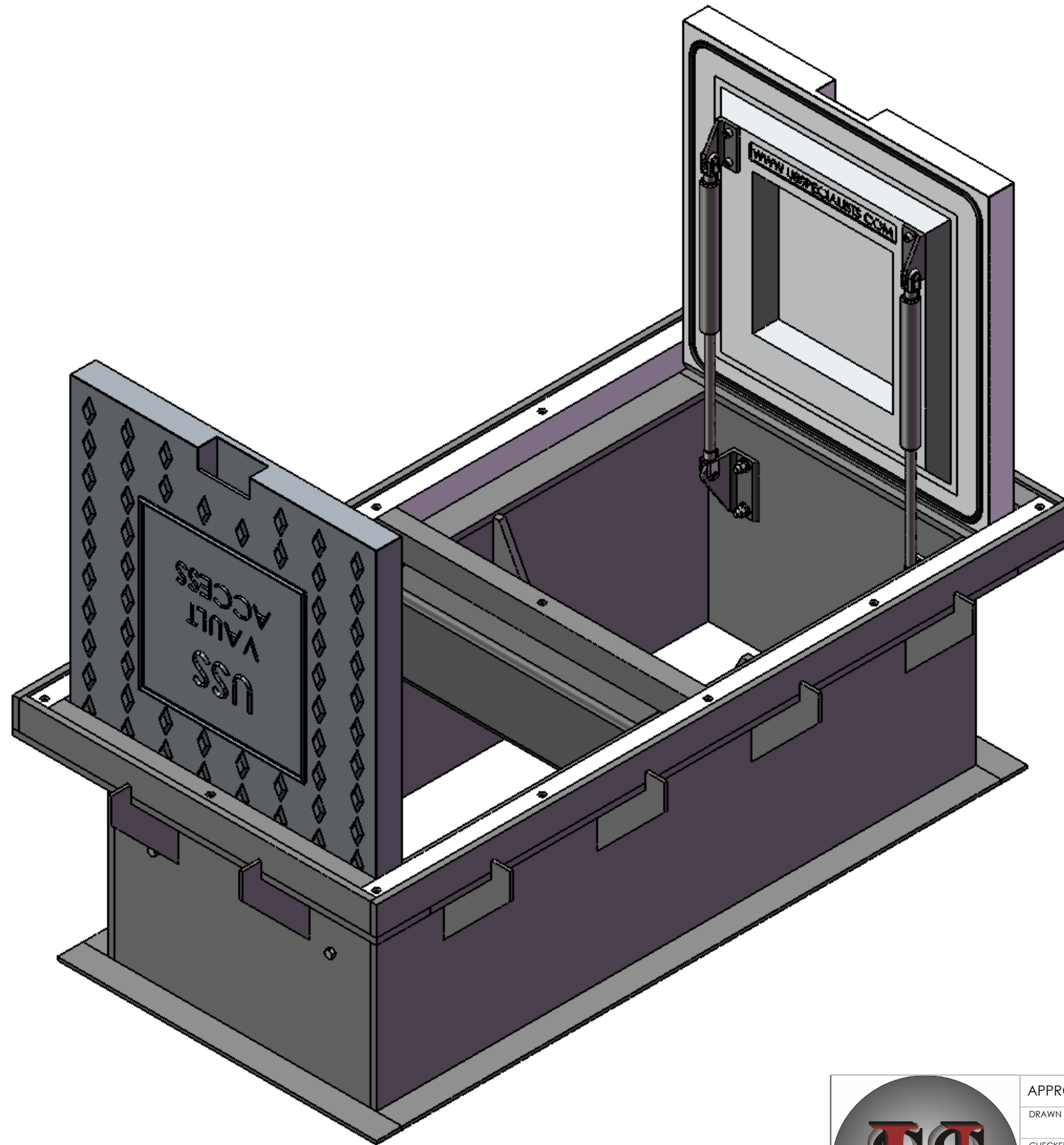


APPROVALS	DATE
DRAWN DLL	08-14-07
CHECKED CDM	08-14-07
APPROVED CDM	08-14-07
SHEET 1 OF 2	
SCALE: 1:12	SIZE: B

USS, INC.
 PHONE: (260) 693-1172 FAX: (260) 693-1178
 WEB SITE: WWW.USSPECIALISTS.COM

USS(2)24S
20X46-18D
VA

THE INFORMATION ON THIS DRAWING IS PROPRIETARY AND IS NOT TO BE REVEALED TO THIRD PARTIES WITHOUT WRITTEN CONSENT OF A CORPORATE OFFICER OF USS, INC.



APPROVALS	DATE
DRAWN DLL	08-14-07
CHECKED CDM	08-14-07
APPROVED CDM	08-14-07
SHEET 2 OF 2	

USS, INC.
 PHONE: (260) 693-1172 FAX: (260) 693-1178
 WEB SITE: WWW.USSPECIALISTS.COM

USS(2)24S
20X46-18D
VA - ISOMETRIC VIEW

SCALE: 1:7 SIZE: B

THE INFORMATION ON THIS DRAWING IS PROPRIETARY AND IS NOT TO BE REVEALED TO THIRD PARTIES WITHOUT WRITTEN CONSENT OF A CORPORATE OFFICER OF USS, INC.