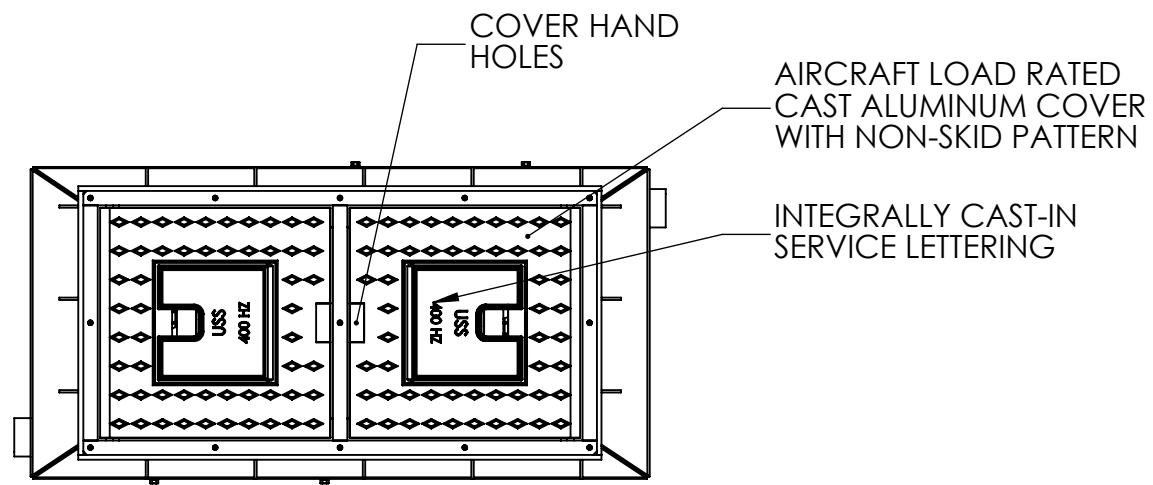
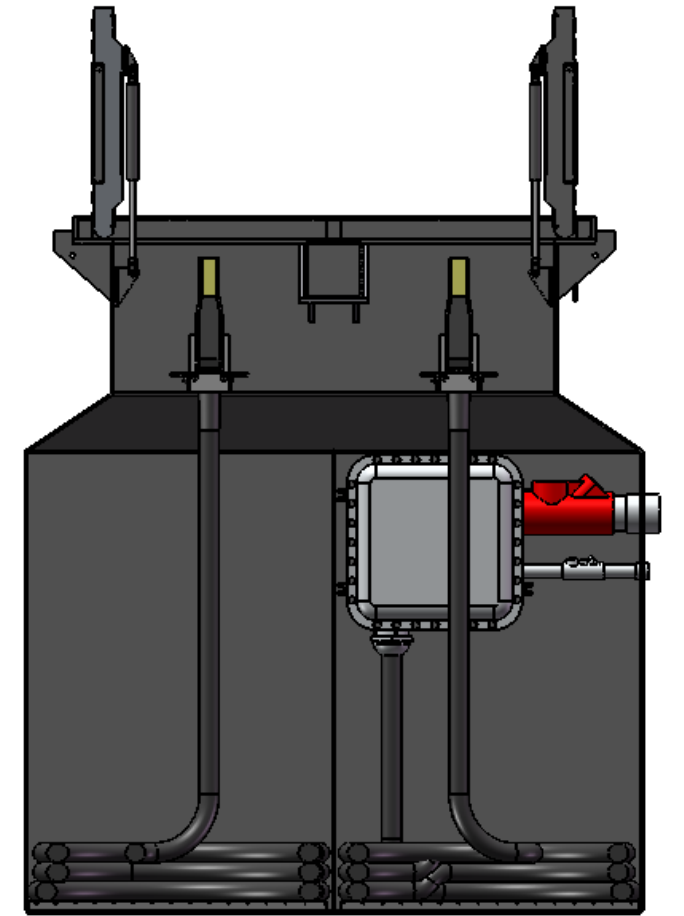


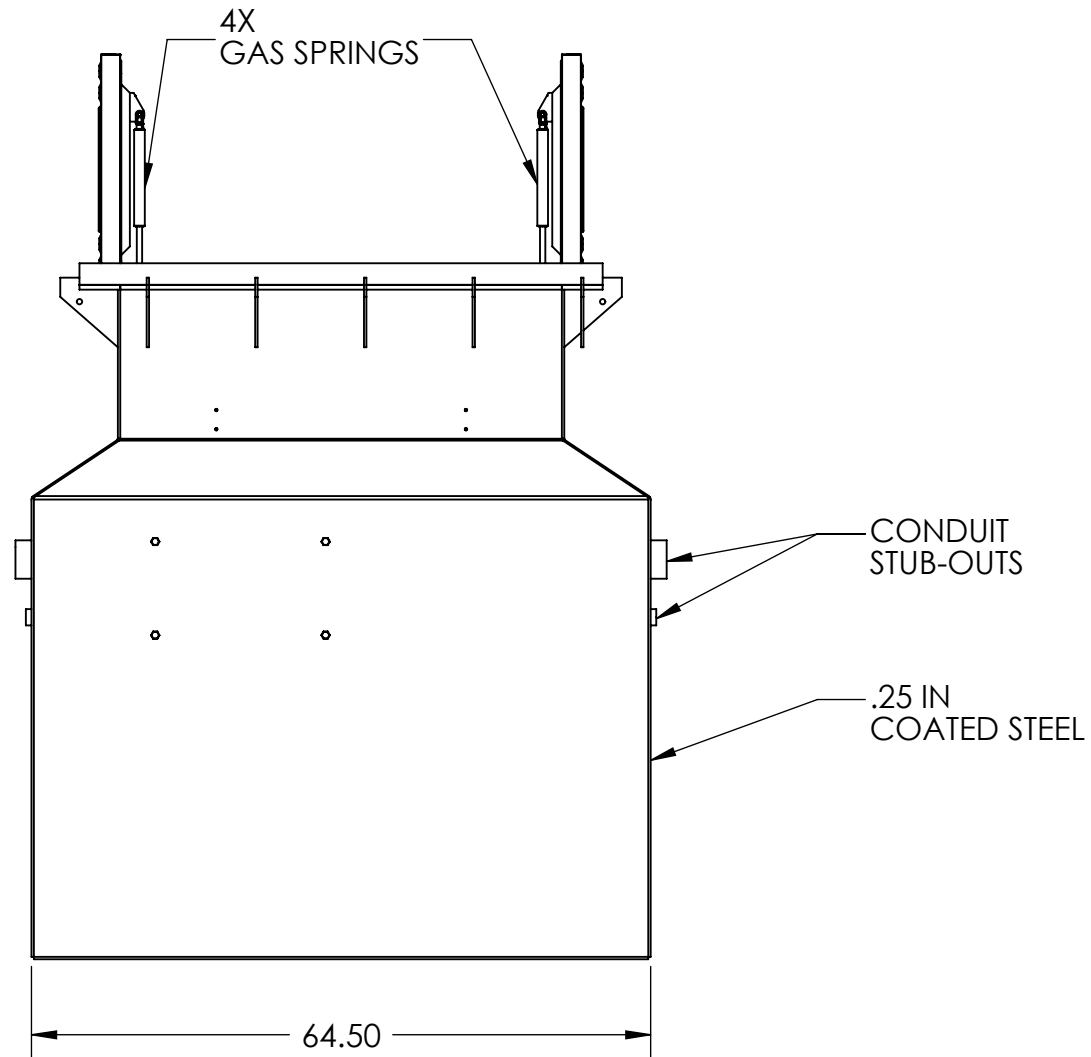
TOP VIEW



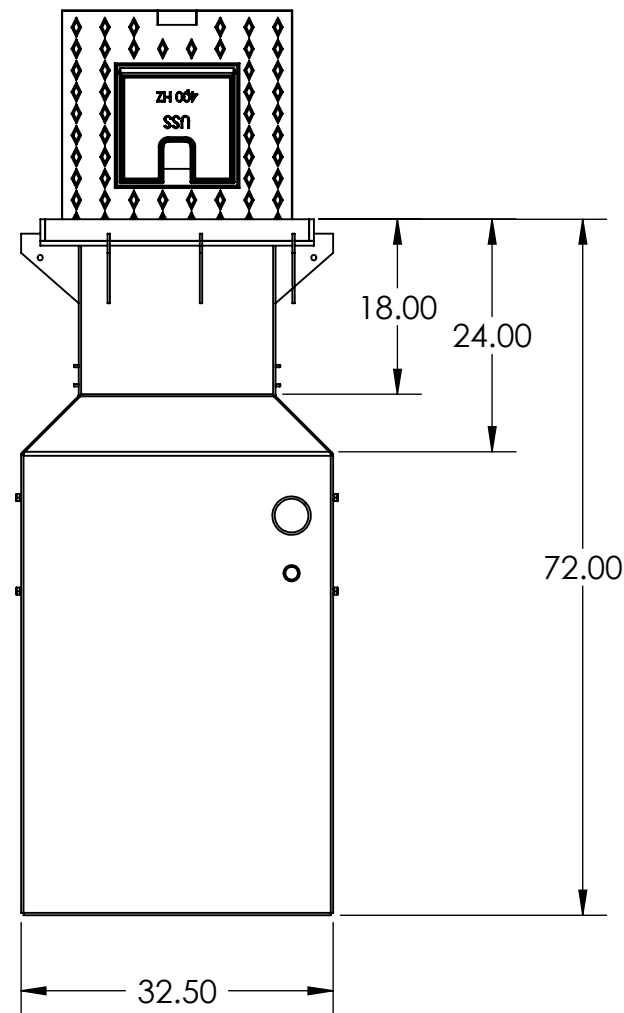
COVER VIEW



FRONT CUT VIEW



FRONT VIEW



RIGHT SIDE VIEW



APPROVALS	DATE
DRAWN DLL	01-07-08
CHECKED CDM	01-07-08
APPROVED CDM	01-07-08
SHEET 1 OF 1	
SCALE: 1:20	SIZE: B

USS, INC.
 PHONE: (260) 693-1172 FAX: (260) 693-1178
 WEB SITE: WWW.USSPECIALISTS.COM

USS(2)24S(12)
20X46-32X64-72D
400Hz(2X30)-Steel

THE INFORMATION ON THIS DRAWING IS PROPRIETARY AND IS NOT TO BE REVEALED TO THIRD PARTIES WITHOUT WRITTEN CONSENT OF A CORPORATE OFFICER OF USS, INC.