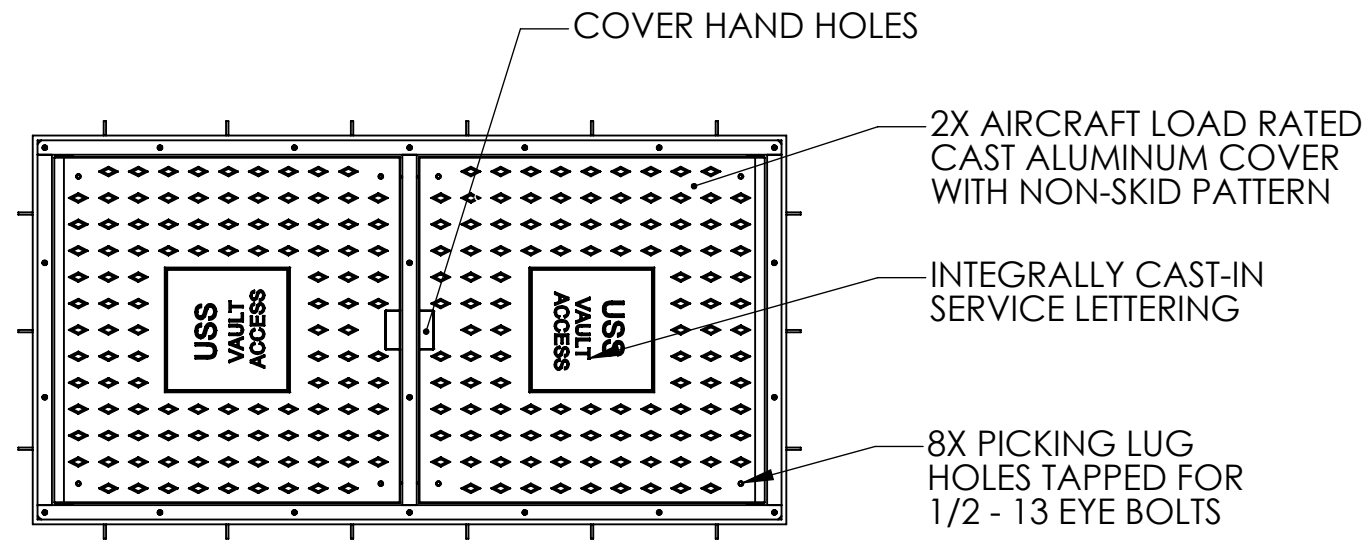
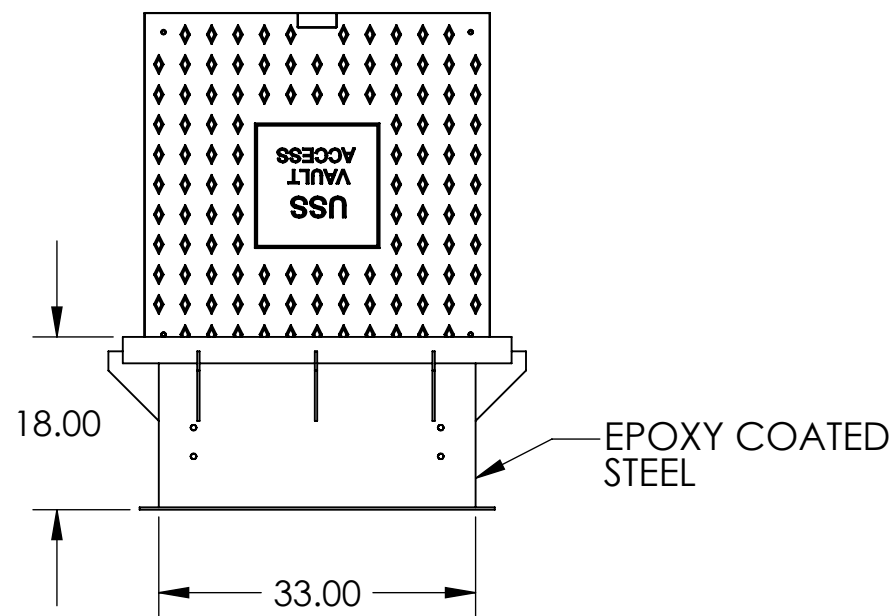


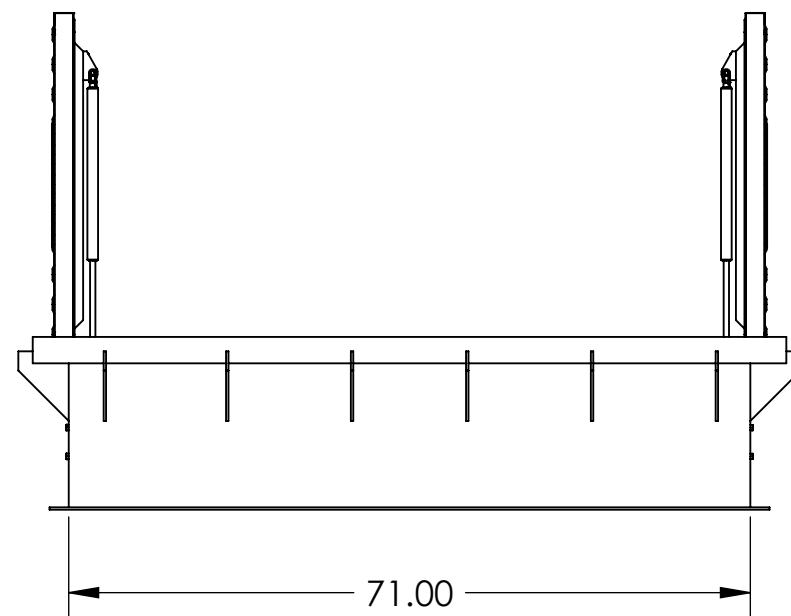
TOP VIEW



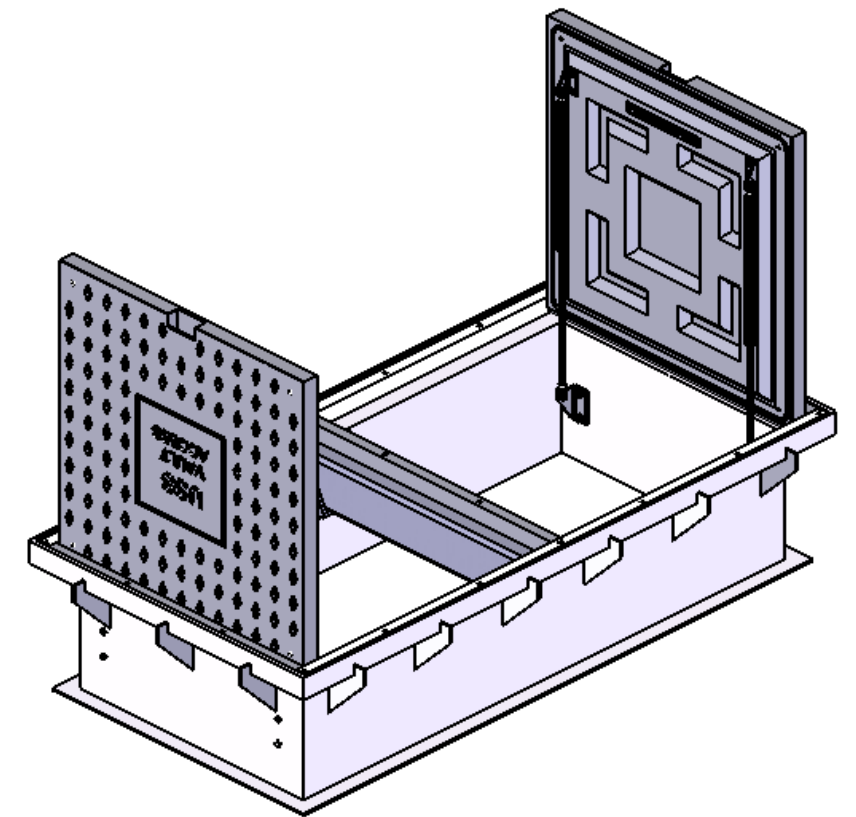
COVER VIEW



FRONT VIEW



SIDE VIEW



ISOMETRIC VIEW

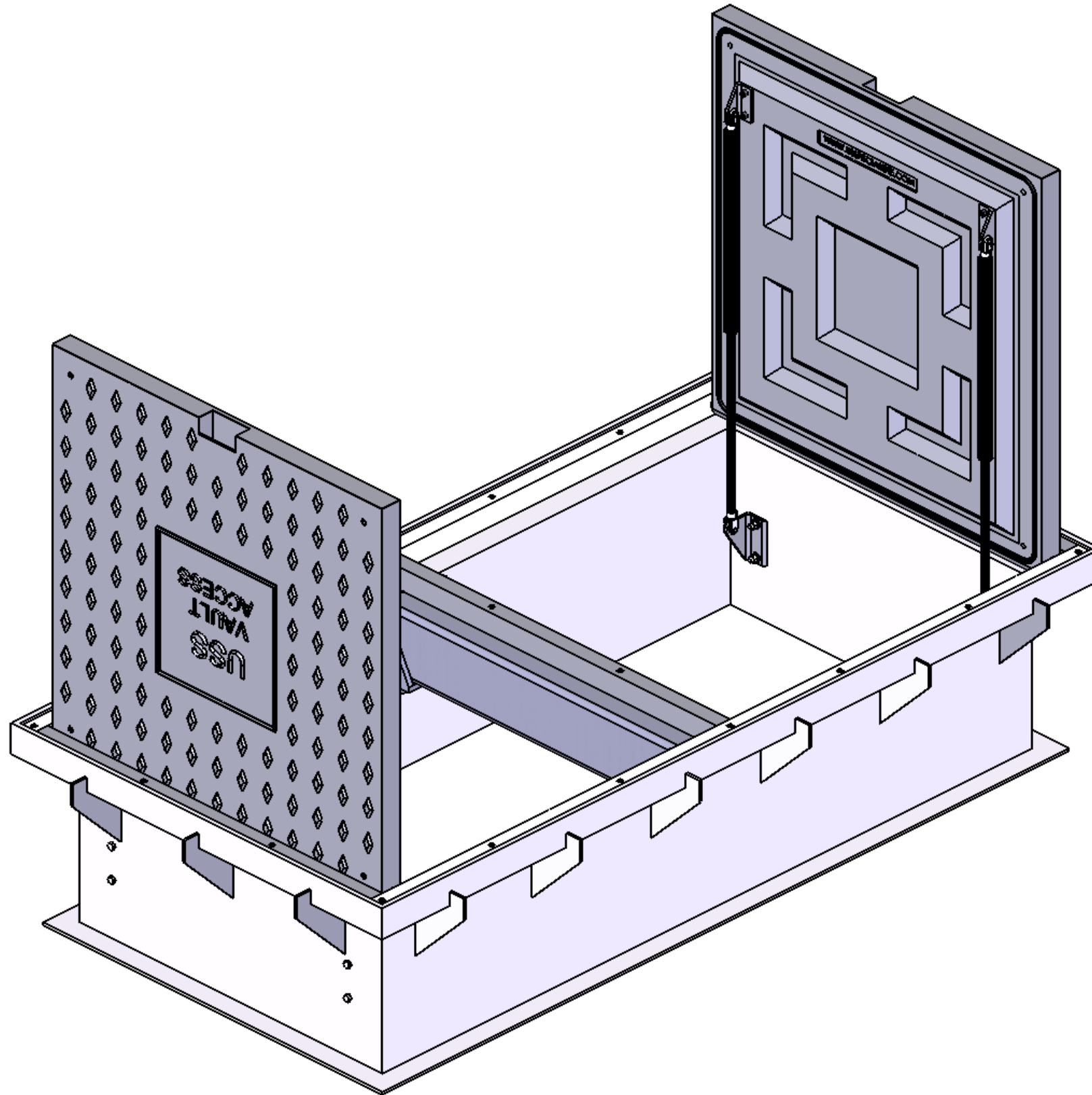


APPROVALS	DATE
DRAWN DLL	07-17-06
CHECKED CDM	07-17-06
APPROVED CDM	07-17-06
SHEET 1 OF 2	
SCALE: 1:20	SIZE: B

USS, INC.
PHONE: (260) 693-1172 FAX: (260) 693-1178
WEB SITE: WWW.USSPECIALISTS.COM

USS(2)32S
32X70-18D
VA

THE INFORMATION ON THIS DRAWING IS PROPRIETARY AND IS NOT TO BE REVEALED TO THIRD PARTIES WITHOUT WRITTEN CONSENT OF A CORPORATE OFFICER OF USS, INC.



APPROVALS	DATE
DRAWN DLL	07-17-06
CHECKED CDM	07-17-06
APPROVED CDM	07-17-06
SHEET 2 OF 2	
SCALE: 1:10	SIZE: B

USS, INC.
 PHONE: (260) 693-1172 FAX: (260) 693-1178
 WEB SITE: WWW.USSPECIALISTS.COM
USS(2)32S
32X70-18D
VA - ISOMETRIC
THE INFORMATION ON THIS DRAWING IS PROPRIETARY AND IS NOT TO BE REVEALED TO THIRD PARTIES WITHOUT WRITTEN CONSENT OF A CORPORATE OFFICER OF USS, INC.