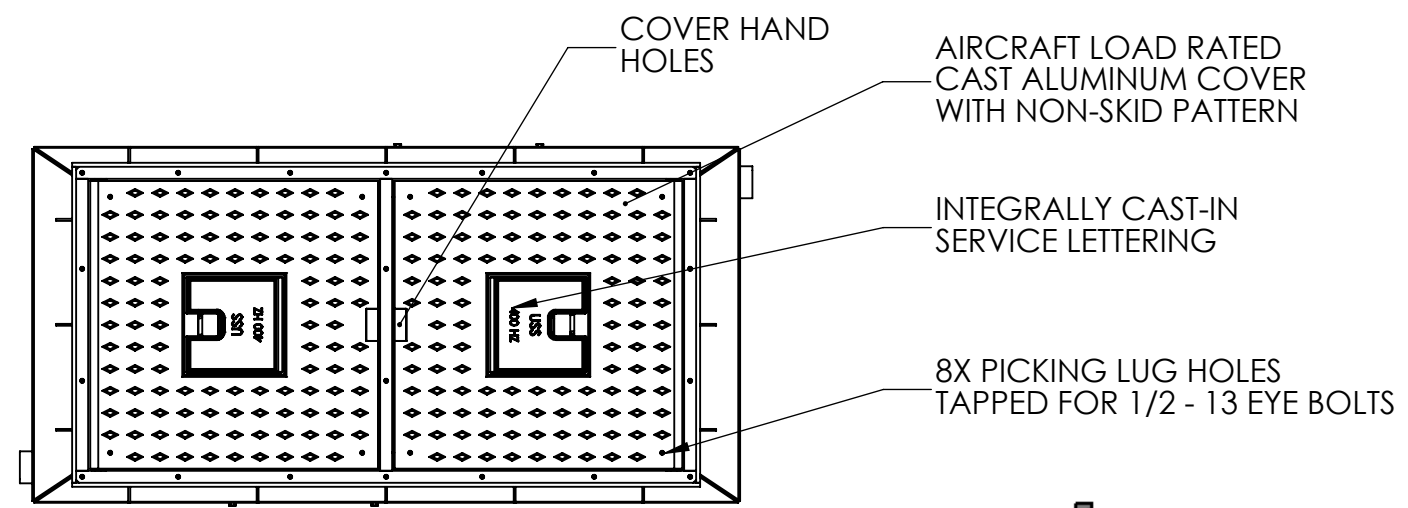
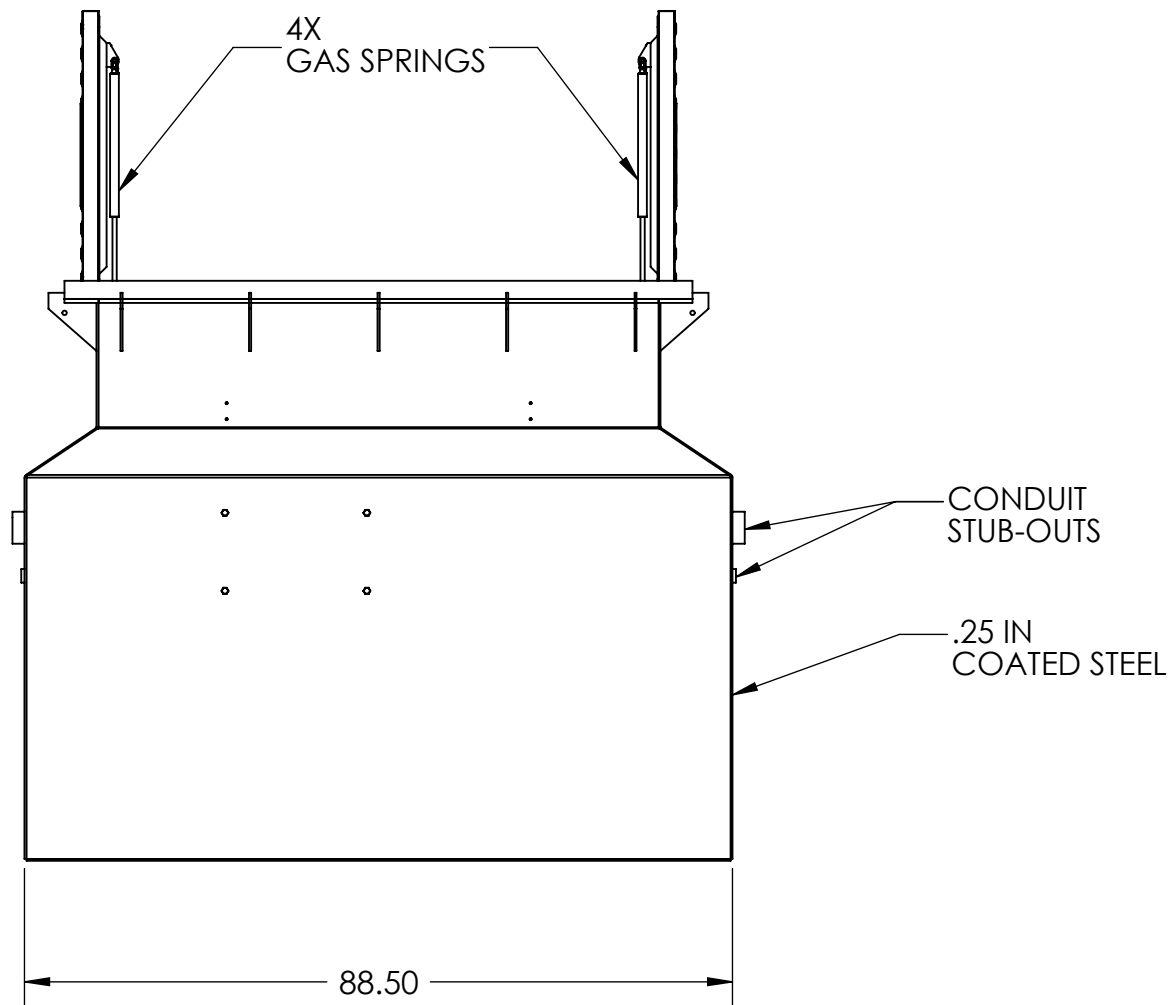


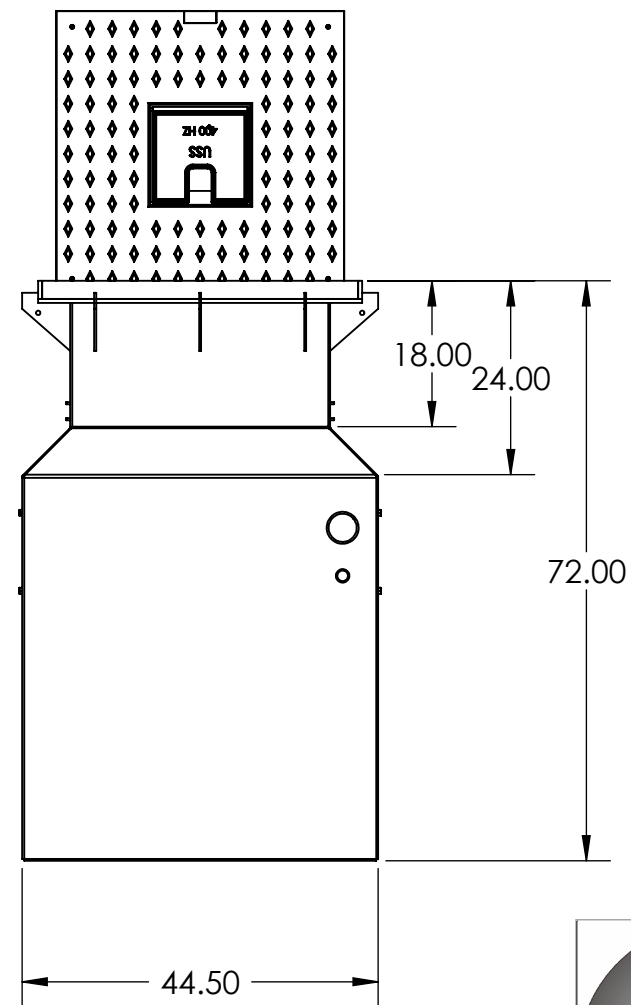
TOP VIEW



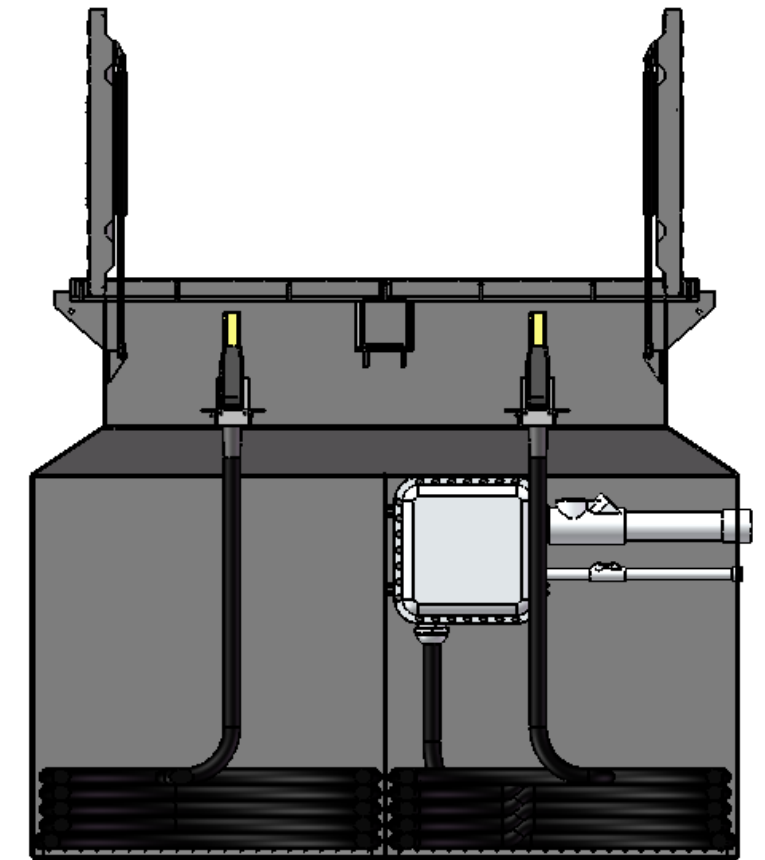
COVER VIEW



FRONT VIEW



RIGHT SIDE VIEW



FRONT CUT VIEW



APPROVALS	DATE
DRAWN DLL	01-08-08
CHECKED CDM	01-08-08
APPROVED CDM	01-08-08
SHEET 1 OF 1	
SCALE: 1:24	SIZE: B

**USS, INC.**  
 PHONE: (260) 693-1172 FAX: (260) 693-1178  
 WEB SITE: WWW.USSPECIALISTS.COM

**USS(2)36S(12)**  
**32X70-44X88-72D**  
**400Hz(2X60)-Steel**

THE INFORMATION ON THIS DRAWING IS PROPRIETARY AND IS NOT TO BE REVEALED TO THIRD PARTIES WITHOUT WRITTEN CONSENT OF A CORPORATE OFFICER OF USS, INC.