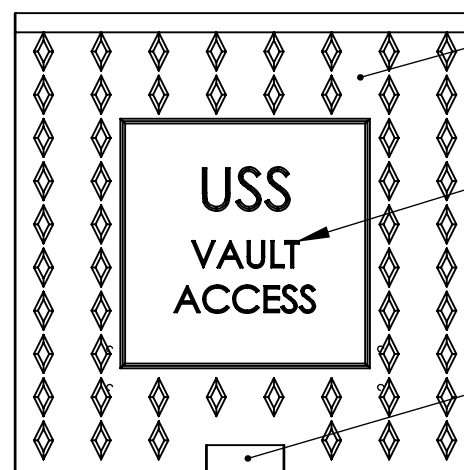


TOP VIEW

MACHINED ALUMINUM COVER FRAME

20.00 IN SQ
INSIDE
OPENING



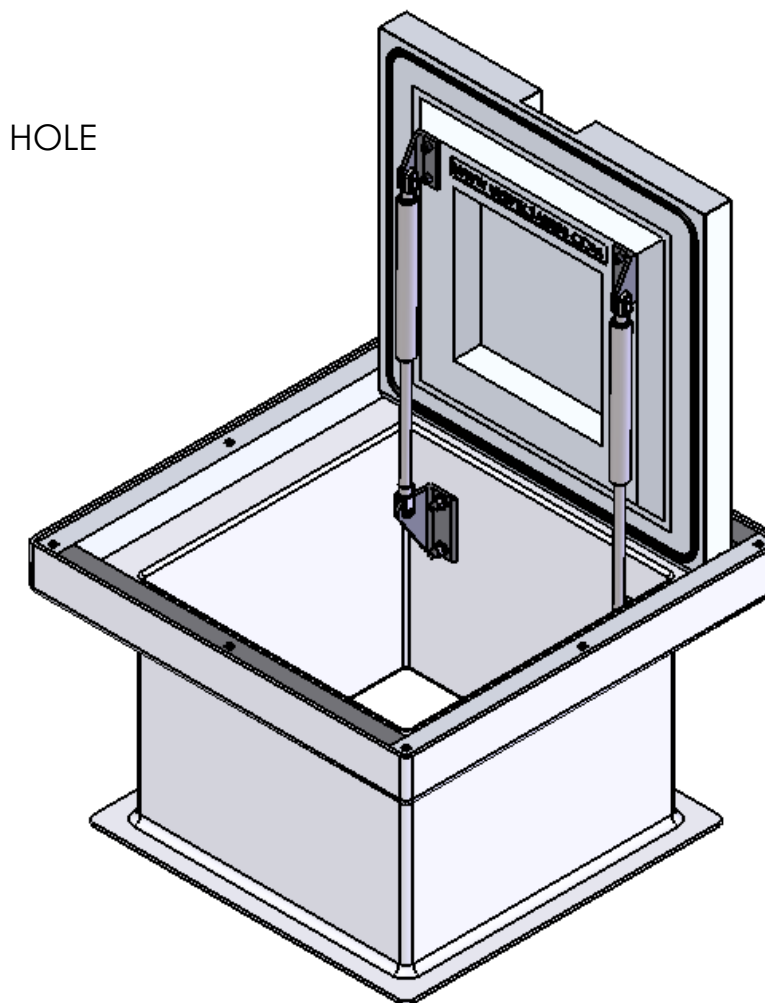
COVER VIEW

AIRCRAFT LOAD RATED
CAST ALUMINUM COVER
WITH NON-SKID PATTERN

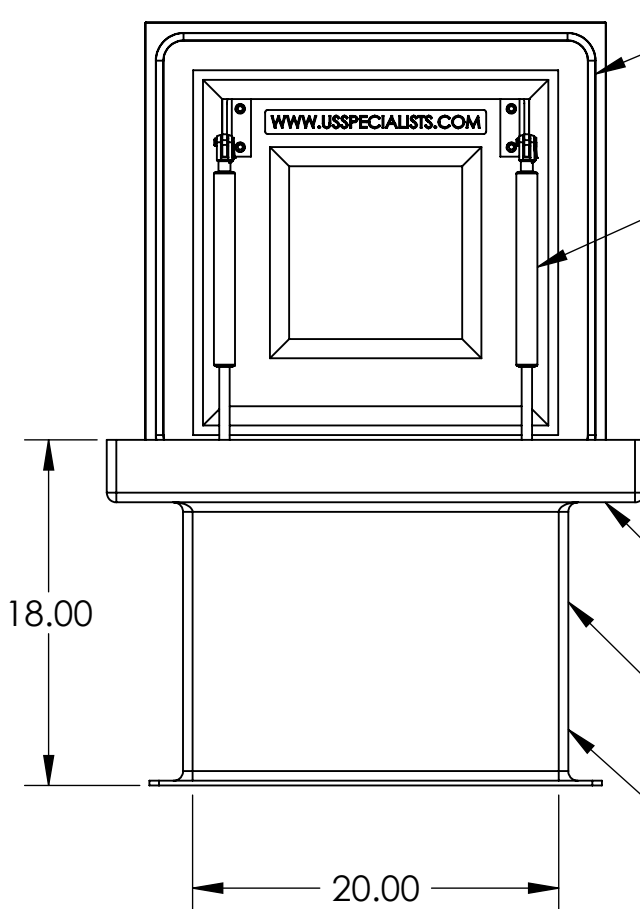
INTEGRALLY CAST IN
SERVICE LETTERING

COVER HAND HOLE

USS
VAULT
ACCESS



ISOMETRIC VIEW



FRONT VIEW

COVER SEAL

2X GAS SPRINGS

1.00 IN THICK
SEATING AREA

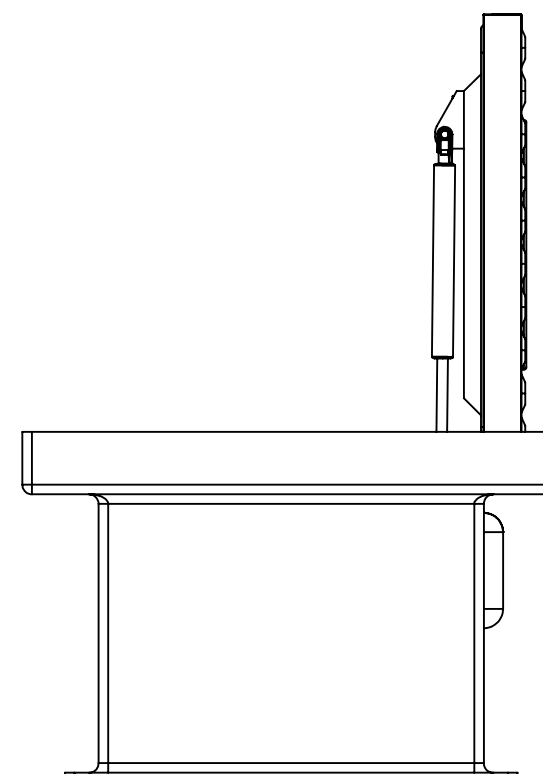
INTERIOR/EXTERIOR
GEL COATING

.25 IN FIBERGLASS

18.00

20.00

WWW.USSPECIALISTS.COM



RIGHT SIDE VIEW



Utility Systems Specialists

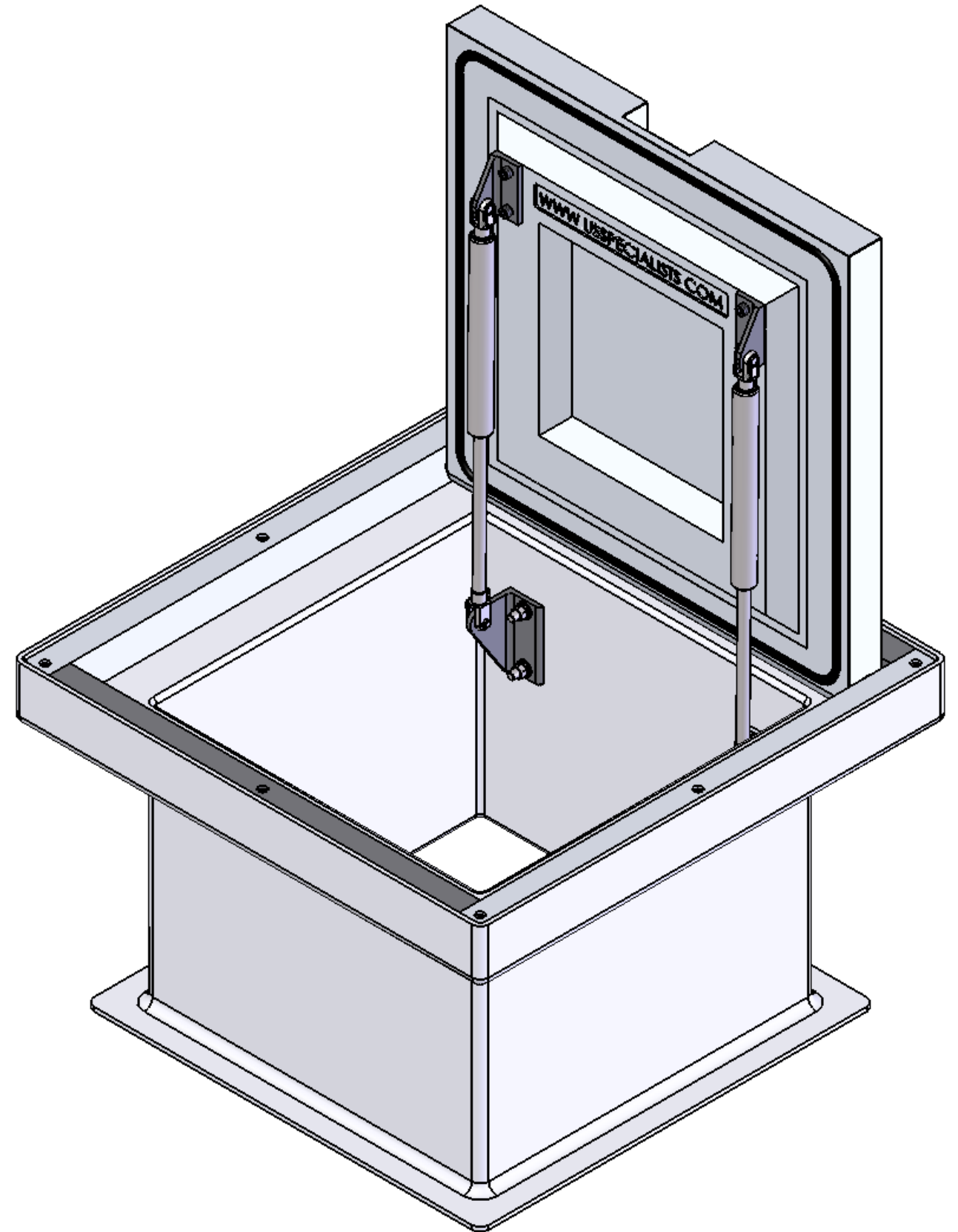
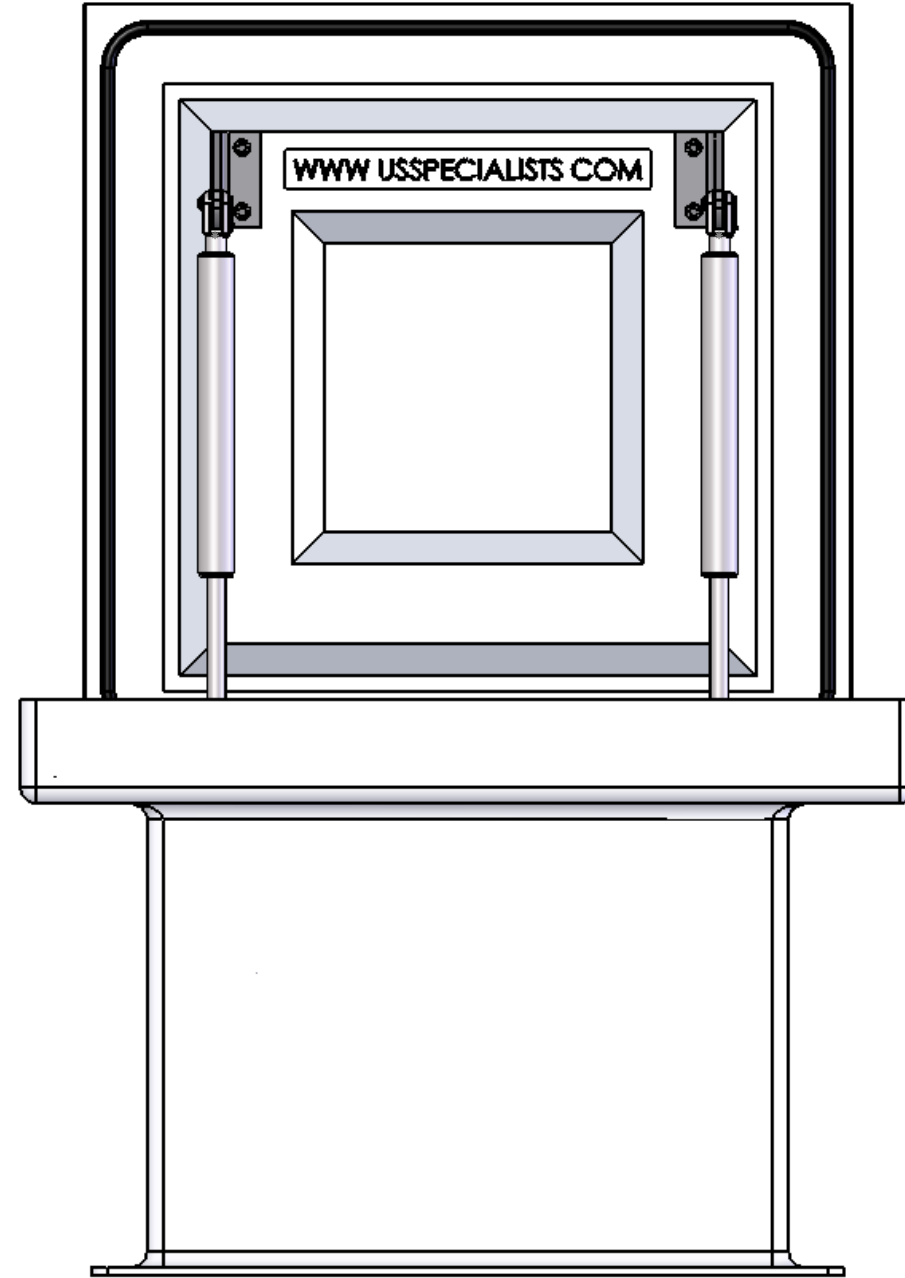
APPROVALS	DATE
DRAWN DLL	04-03-06
CHECKED CDM	04-03-06
APPROVED CDM	04-03-06
SHEET 1 OF 2	

SCALE: 1:10 SIZE: B

USS, INC.
PHONE: (260) 693-1172 FAX: (260) 693-1178
WEB SITE: WWW.USSPECIALISTS.COM

USS24S
20X20-18D
VA

THE INFORMATION ON THIS DRAWING IS PROPRIETARY AND IS NOT TO BE REVEALED TO THIRD PARTIES WITHOUT WRITTEN CONSENT OF A CORPORATE OFFICER OF USS, INC.



Utility Systems Specialists

APPROVALS	DATE
DRAWN DLL	04-03-06
CHECKED CDM	04-03-06
APPROVED CDM	04-03-06
SHEET 2 OF 2	
SCALE: 1:6	SIZE: B

USS, INC.
 PHONE: (260) 693-1172 FAX: (260) 693-1178
 WEB SITE: WWW.USSPECIALISTS.COM

USS24S
20X20-18D
VA - ENLARGED

THE INFORMATION ON THIS DRAWING IS PROPRIETARY AND IS NOT TO BE REVEALED TO THIRD PARTIES WITHOUT WRITTEN CONSENT OF A CORPORATE OFFICER OF USS, INC.