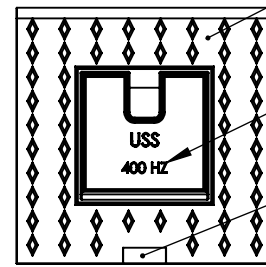


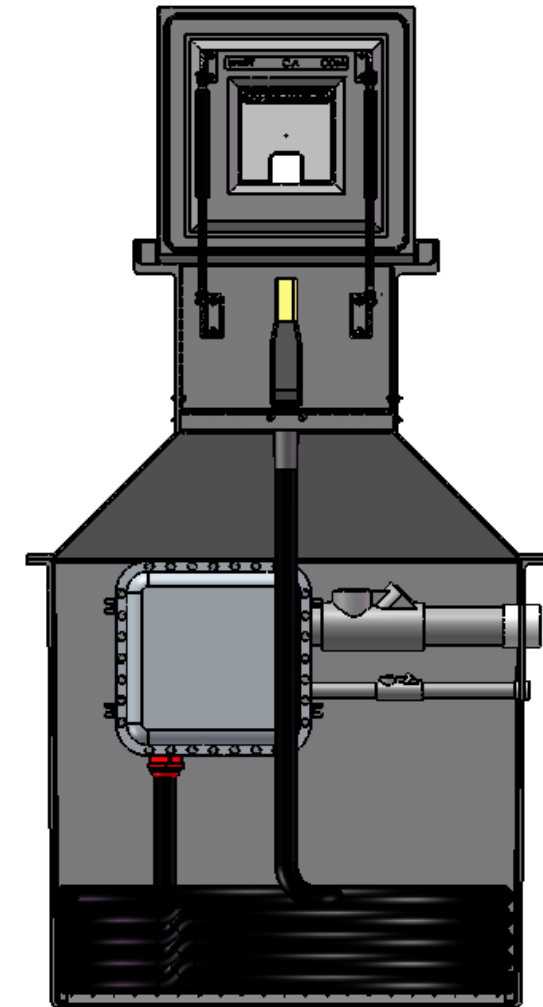
BOLT DOWN ALUMINUM COVER FRAME
 CABLE GUIDE
 20X20 IN SQ INSIDE OPENING

TOP VIEW

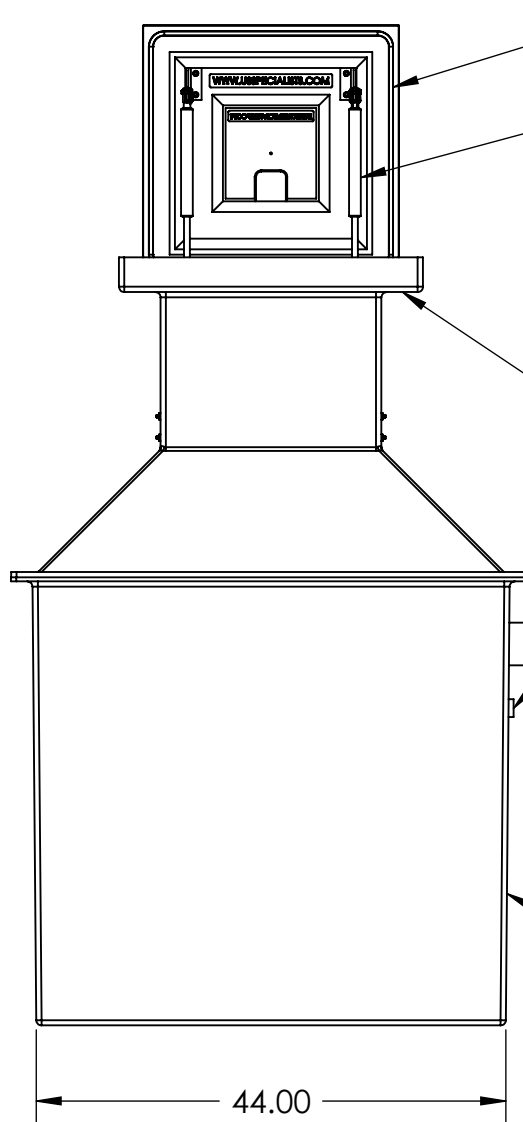


AIRCRAFT LOAD RATED CAST ALUMINUM COVER WITH NON-SKID PATTERN
 INTEGRALLY CAST-IN SERVICE LETTERING
 COVER HAND HOLE

COVER VIEW



FRONT CUT VIEW



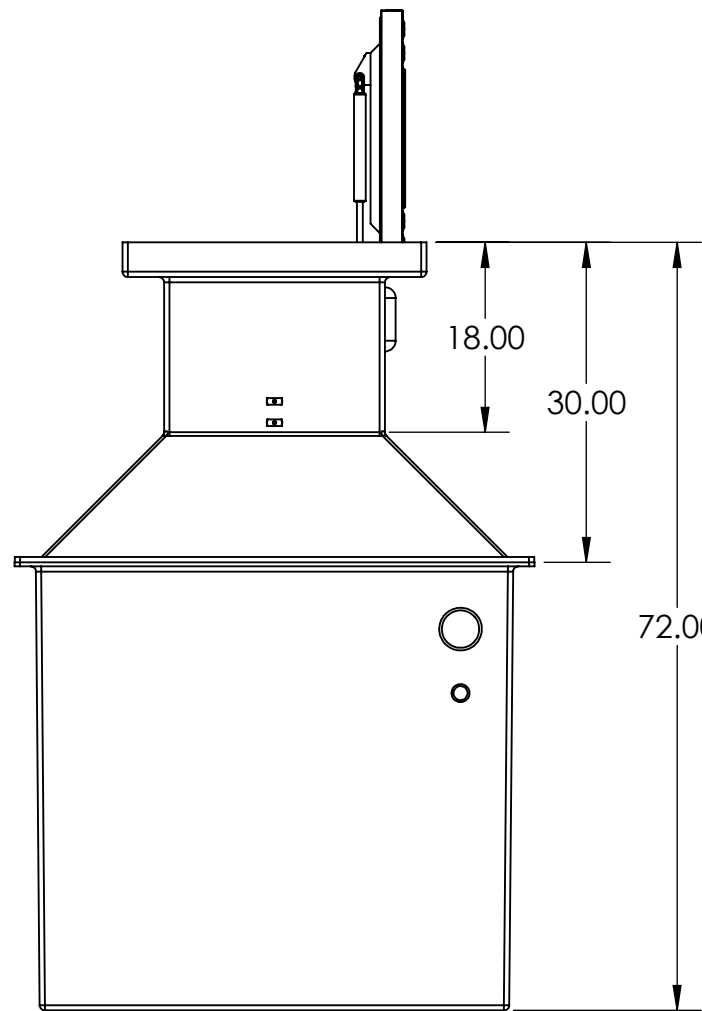
COVER SEAL
 2X GAS SPRINGS
 COVER SEATING AREA 1.00 IN THICK FIBERGLASS

CONDUIT STUB-OUTS

.38 IN GEL-COATED FIBERGLASS

44.00

FRONT VIEW



RIGHT SIDE VIEW



APPROVALS	DATE
DRAWN DLL	01-08-08
CHECKED CDM	01-08-08
APPROVED CDM	01-08-08
SHEET 1 OF 1	
SCALE: 1:18	SIZE: B

USS, INC.
 PHONE: (260) 693-1172 FAX: (260) 693-1178
 WEB SITE: WWW.USSPECIALISTS.COM

USS24S(12)
20X20-44X44-72D
400Hz(60)

THE INFORMATION ON THIS DRAWING IS PROPRIETARY AND IS NOT TO BE REVEALED TO THIRD PARTIES WITHOUT WRITTEN CONSENT OF A CORPORATE OFFICER OF USS, INC.