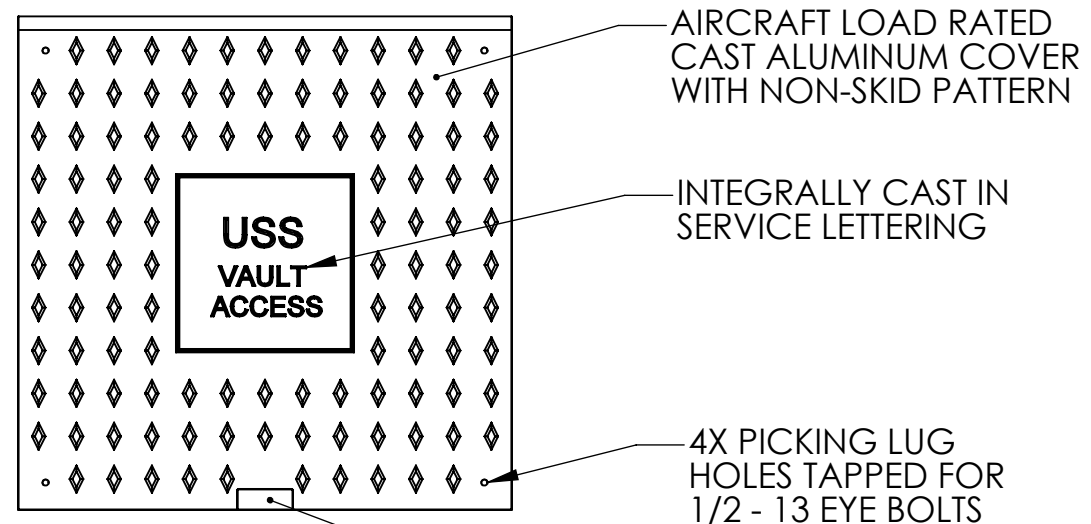
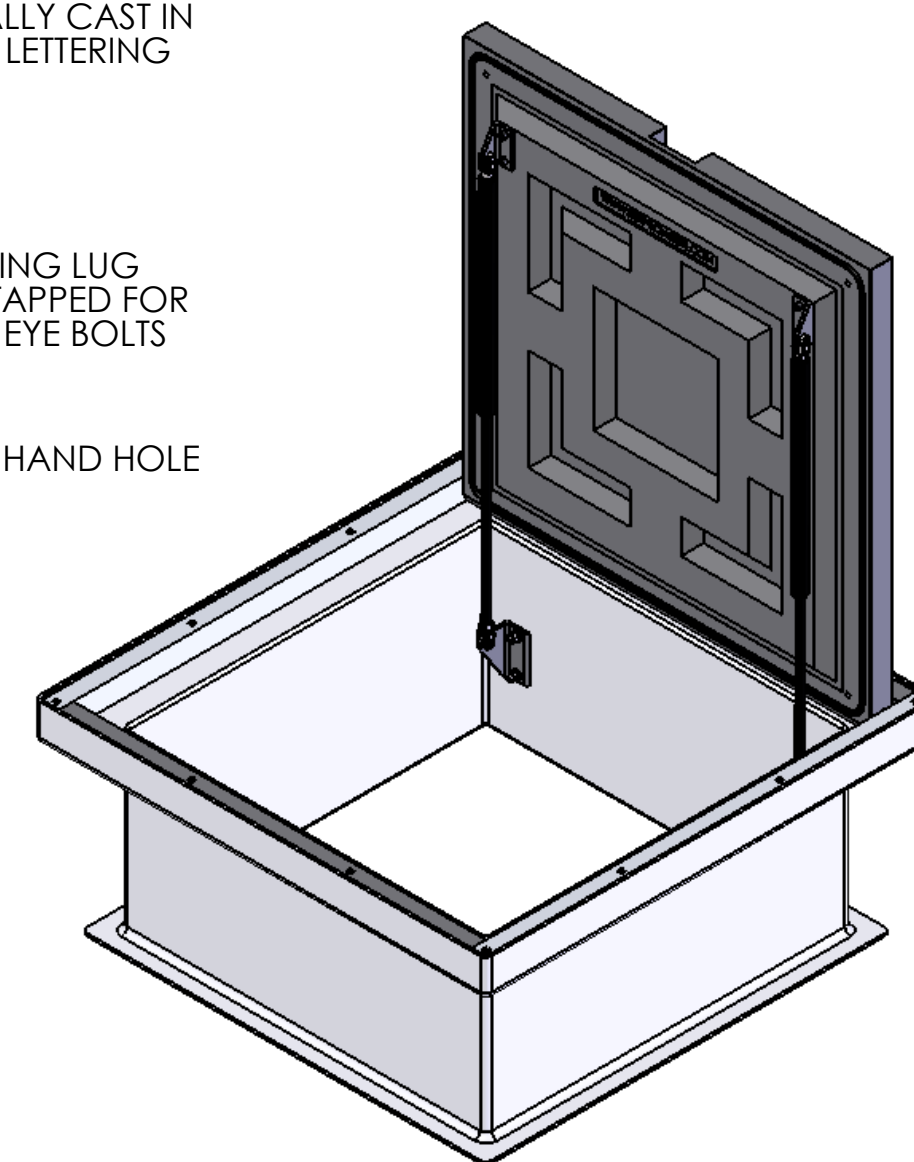


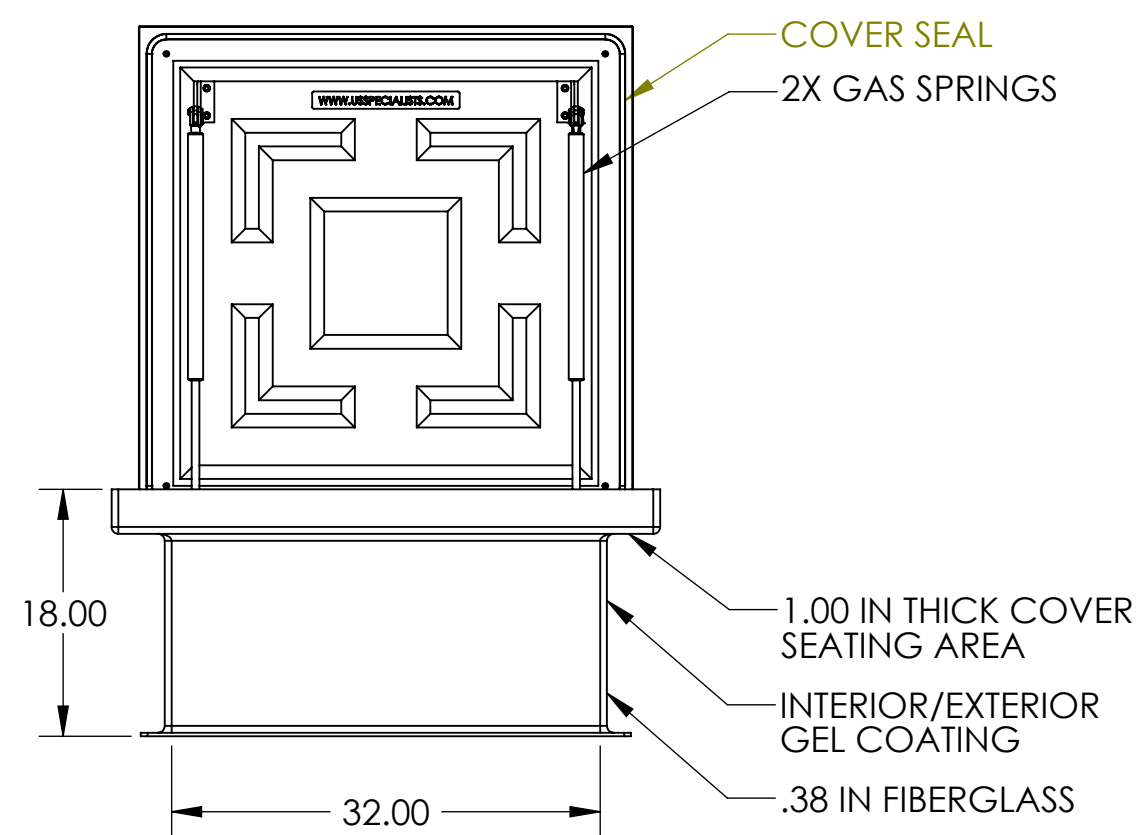
TOP VIEW



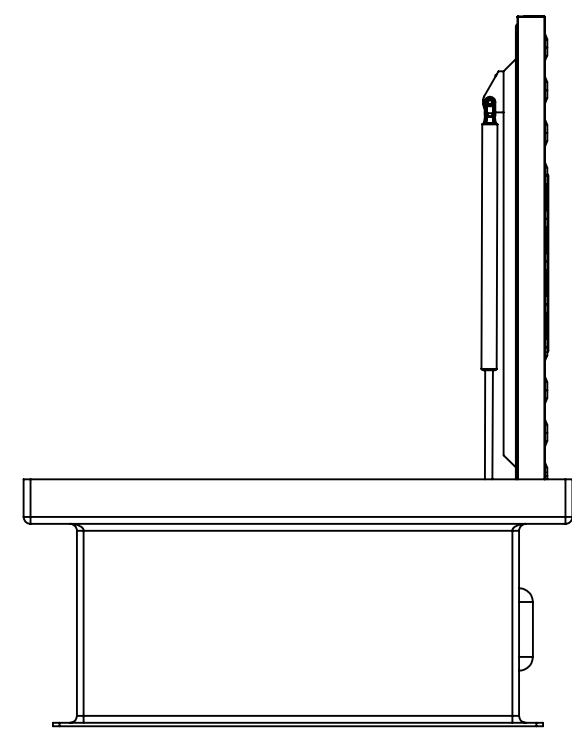
COVER VIEW



ISOMETRIC VIEW



FRONT VIEW



RIGHT SIDE VIEW



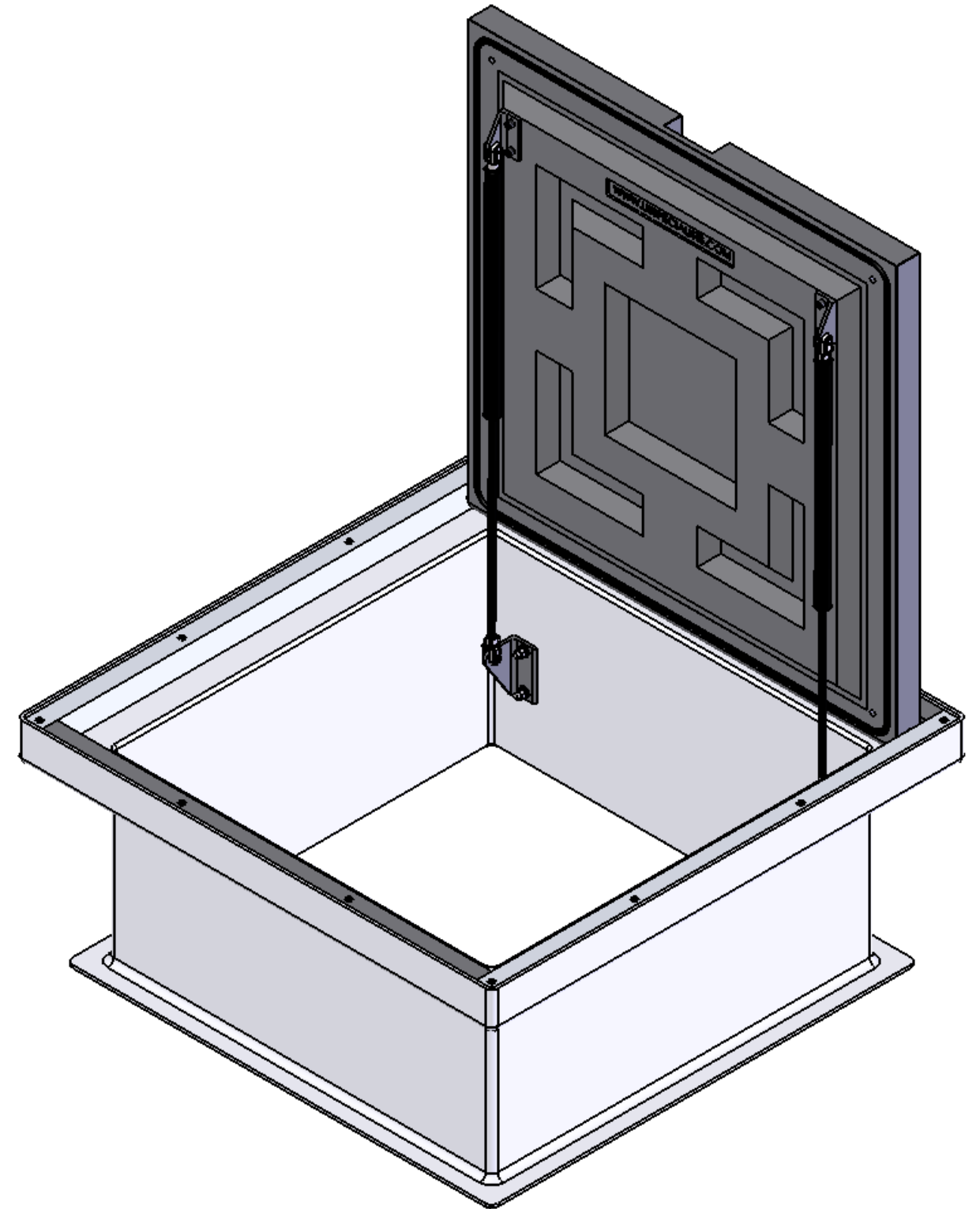
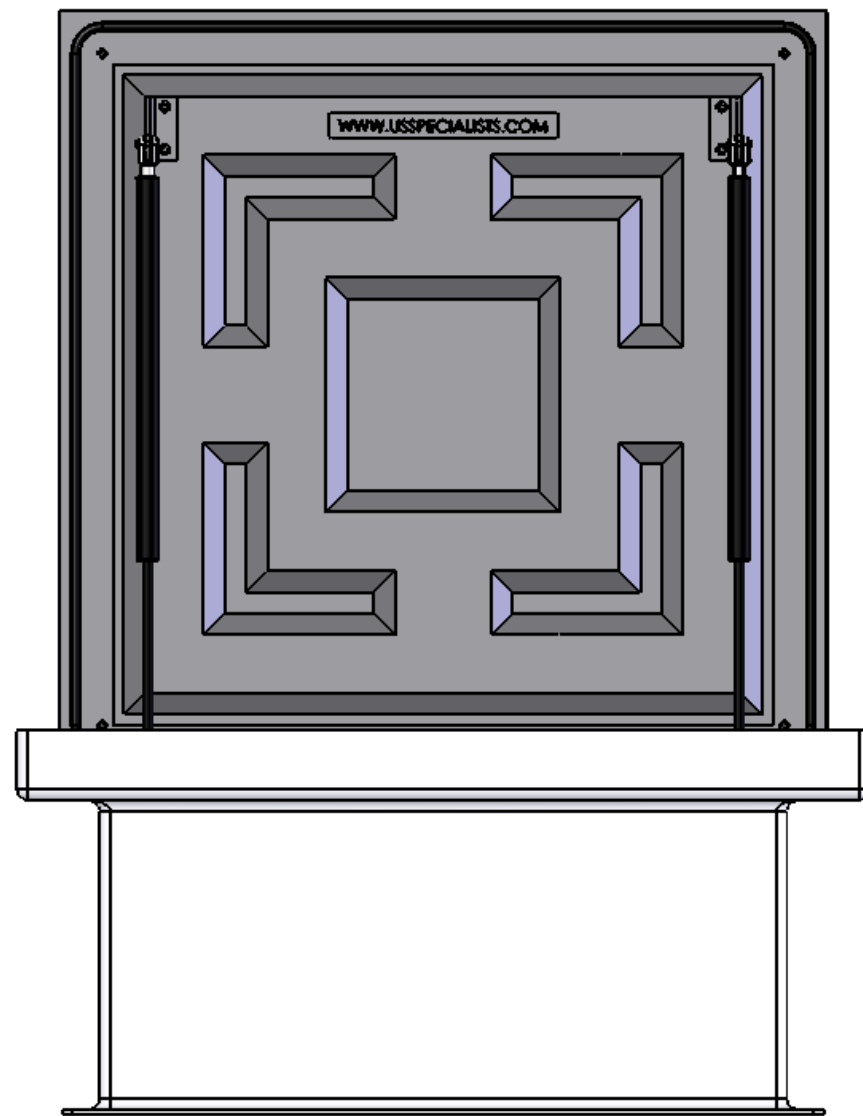
APPROVALS	DATE
DRAWN DLL	04-03-06
CHECKED CDM	04-03-06
APPROVED CDM	04-03-06
SHEET 1 OF 2	
SCALE: 1:14	SIZE: B

USS, INC.
 PHONE: (260) 693-1172 FAX: (260) 693-1178
 WEB SITE: WWW.USSPECIALISTS.COM

USS36S
32X32-18D
VA

THE INFORMATION ON THIS DRAWING IS PROPRIETARY AND IS NOT TO BE REVEALED TO THIRD PARTIES WITHOUT WRITTEN CONSENT OF A CORPORATE OFFICER OF USS, INC.

Utility Systems Specialists



APPROVALS	DATE
DRAWN DLL	04-03-06
CHECKED CDM	04-03-06
APPROVED CDM	04-03-06
SHEET 2 OF 2	
SCALE: 1:9	SIZE: B

USS, INC.
 PHONE: (260) 693-1172 FAX: (260) 693-1178
 WEB SITE: WWW.USSPECIALISTS.COM
USS36S
32X32-18D
VA -ENLARGED
THE INFORMATION ON THIS DRAWING IS PROPRIETARY AND IS NOT TO BE REVEALED TO THIRD PARTIES WITHOUT WRITTEN CONSENT OF A CORPORATE OFFICER OF USS, INC.

Utility Systems Specialists