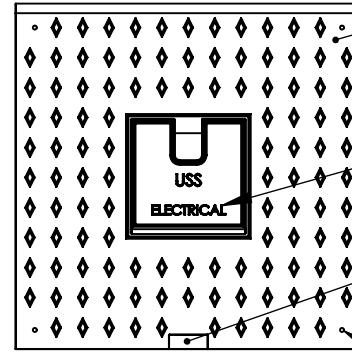


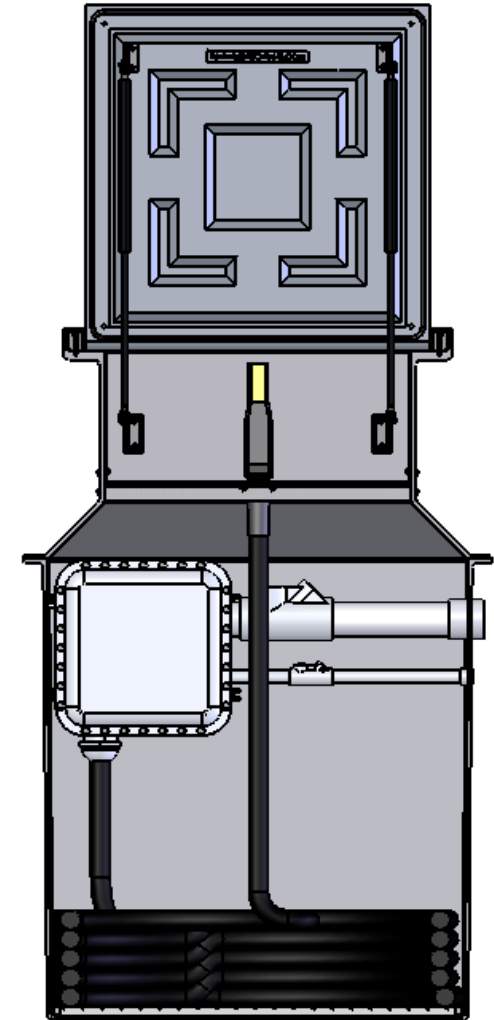
BOLT DOWN ALUMINUM COVER FRAME
CABLE GUIDE
32X32 IN SQ INSIDE OPENING

TOP VIEW

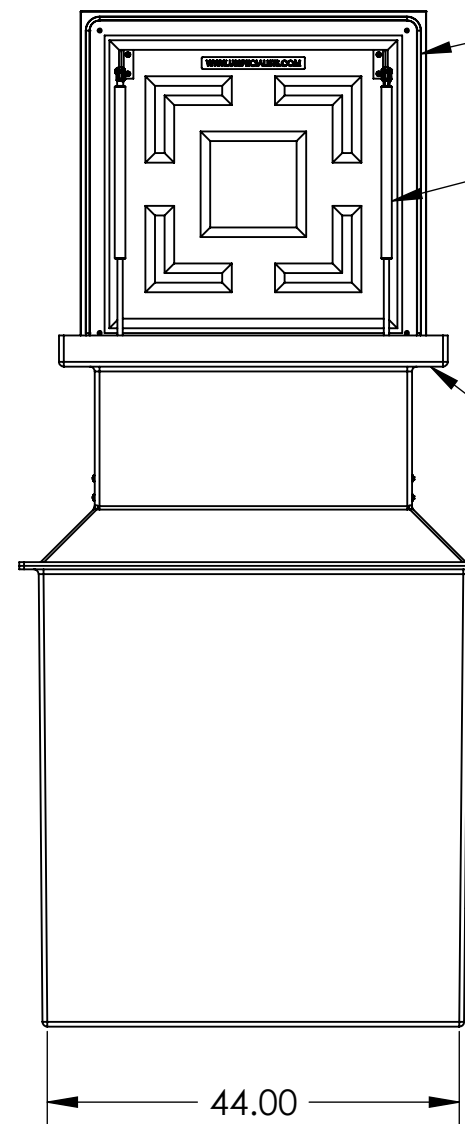


AIRCRAFT LOAD RATED CAST ALUMINUM COVER WITH NON-SKID PATTERN
INTEGRALLY CAST-IN SERVICE LETTERING
COVER HAND HOLE
4X PICKING LUG HOLES TAPPED FOR 1/2 - 13 EYE BOLTS

COVER VIEW



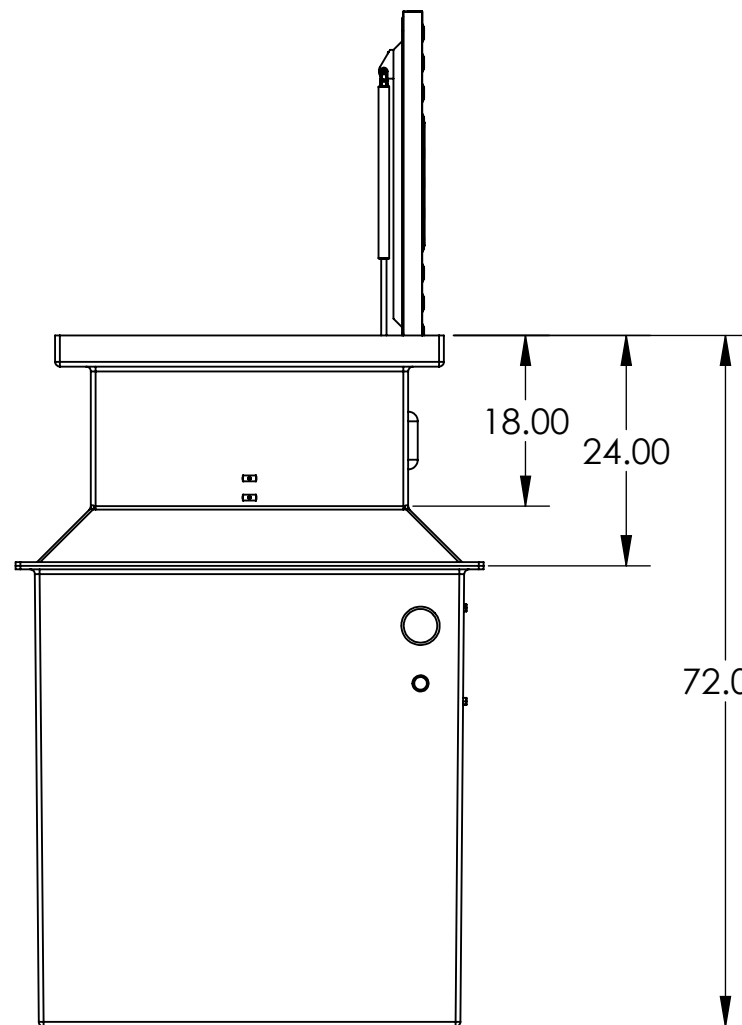
FRONT CUT VIEW



COVER SEAL
2X GAS SPRINGS
COVER SEATING AREA 1.00 IN THICK FIBERGLASS
CONDUIT STUB-OUTS
.38 IN GEL-COATED FIBERGLASS

FRONT VIEW

44.00



RIGHT SIDE VIEW

18.00
24.00
72.00



APPROVALS	DATE
DRAWN DLL	01-08-08
CHECKED CDM	01-08-08
APPROVED CDM	01-08-08
SHEET 1 OF 1	
SCALE: 1:20	SIZE: B

USS, INC.
PHONE: (260) 693-1172 FAX: (260) 693-1178
WEB SITE: WWW.USSPECIALISTS.COM
USS36S(12)
32X32-44X44-72D
400 Hz(60)
THE INFORMATION ON THIS DRAWING IS PROPRIETARY AND IS NOT TO BE REVEALED TO THIRD PARTIES WITHOUT WRITTEN CONSENT OF A CORPORATE OFFICER OF USS, INC.