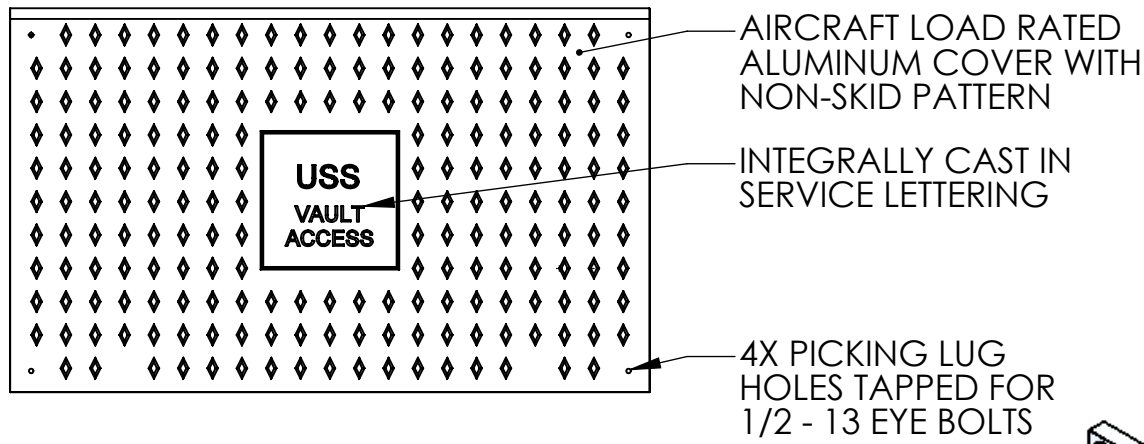
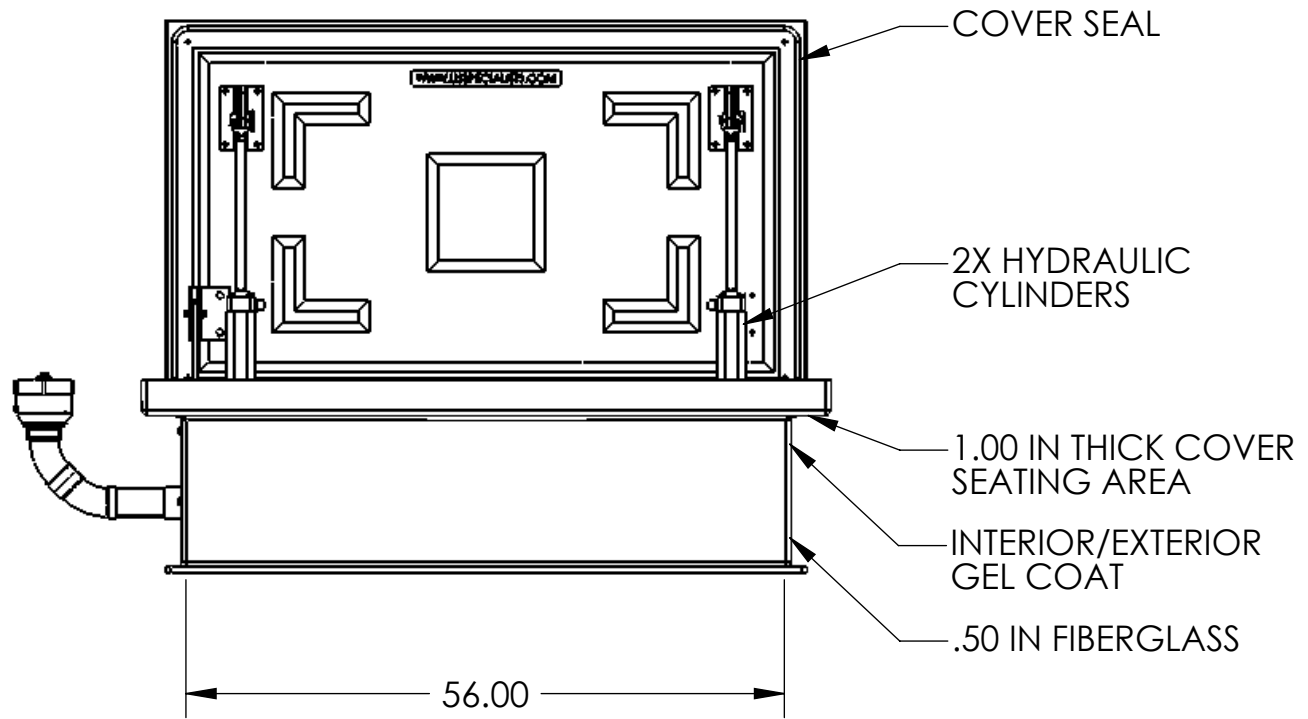


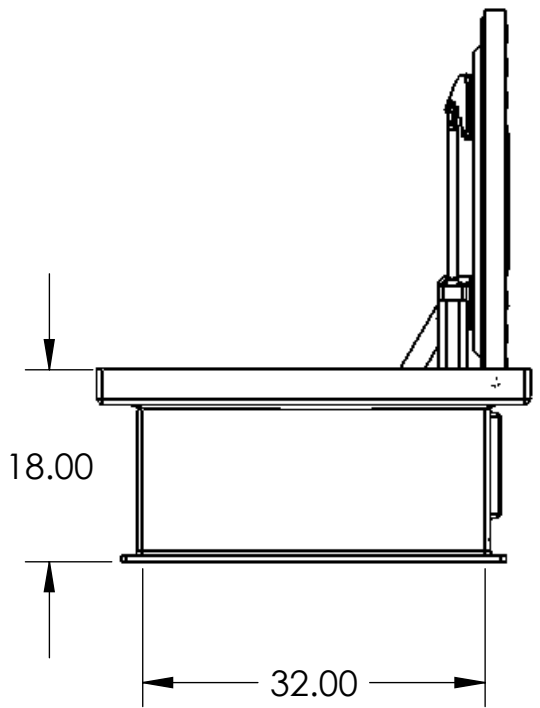
TOP VIEW



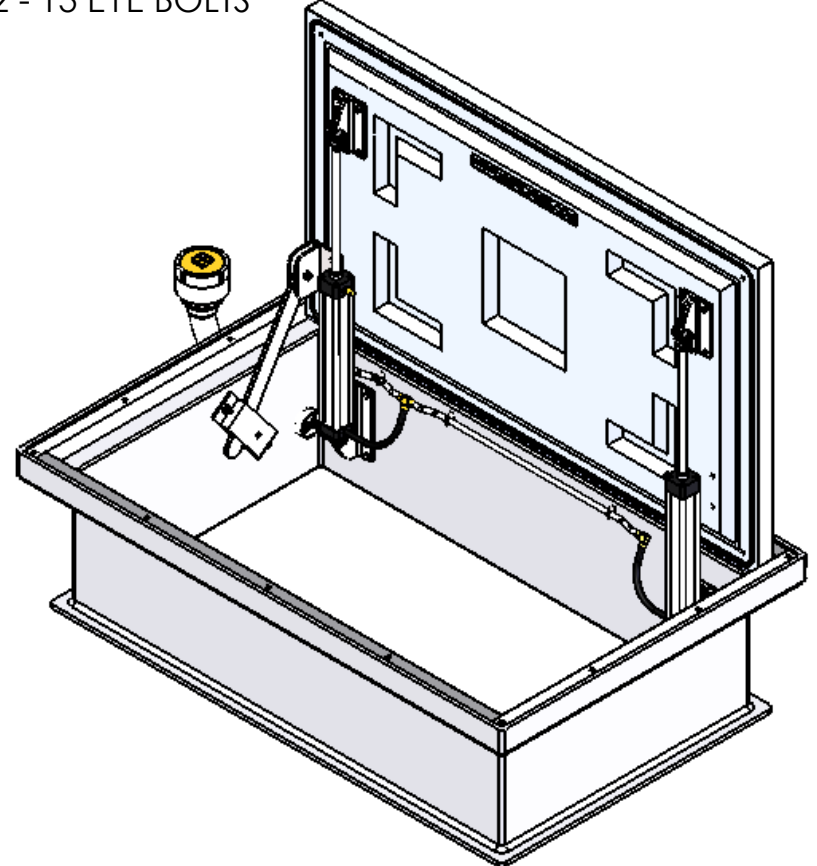
COVER VIEW



FRONT VIEW



SIDE VIEW



ISOMETRIC VIEW

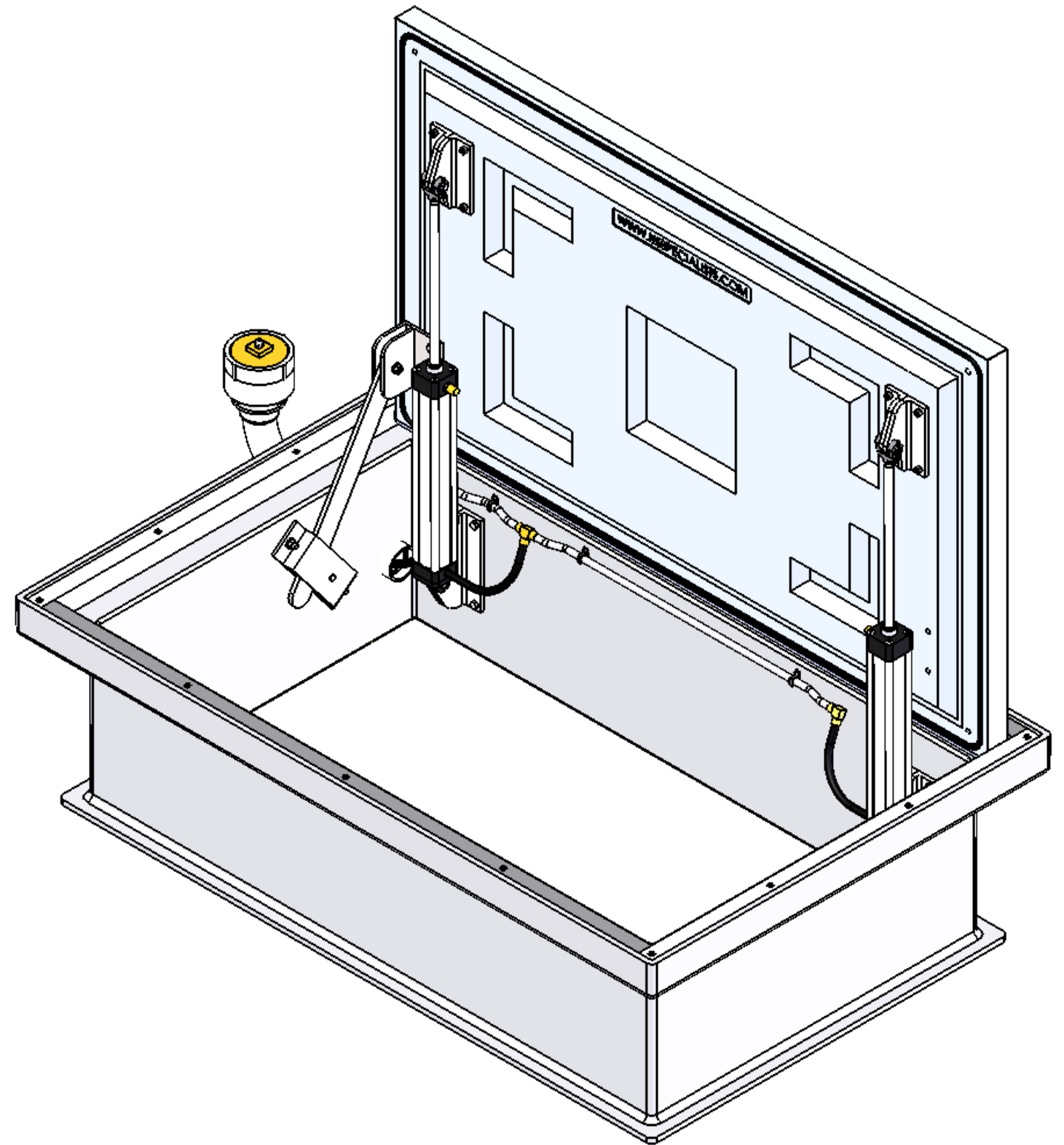
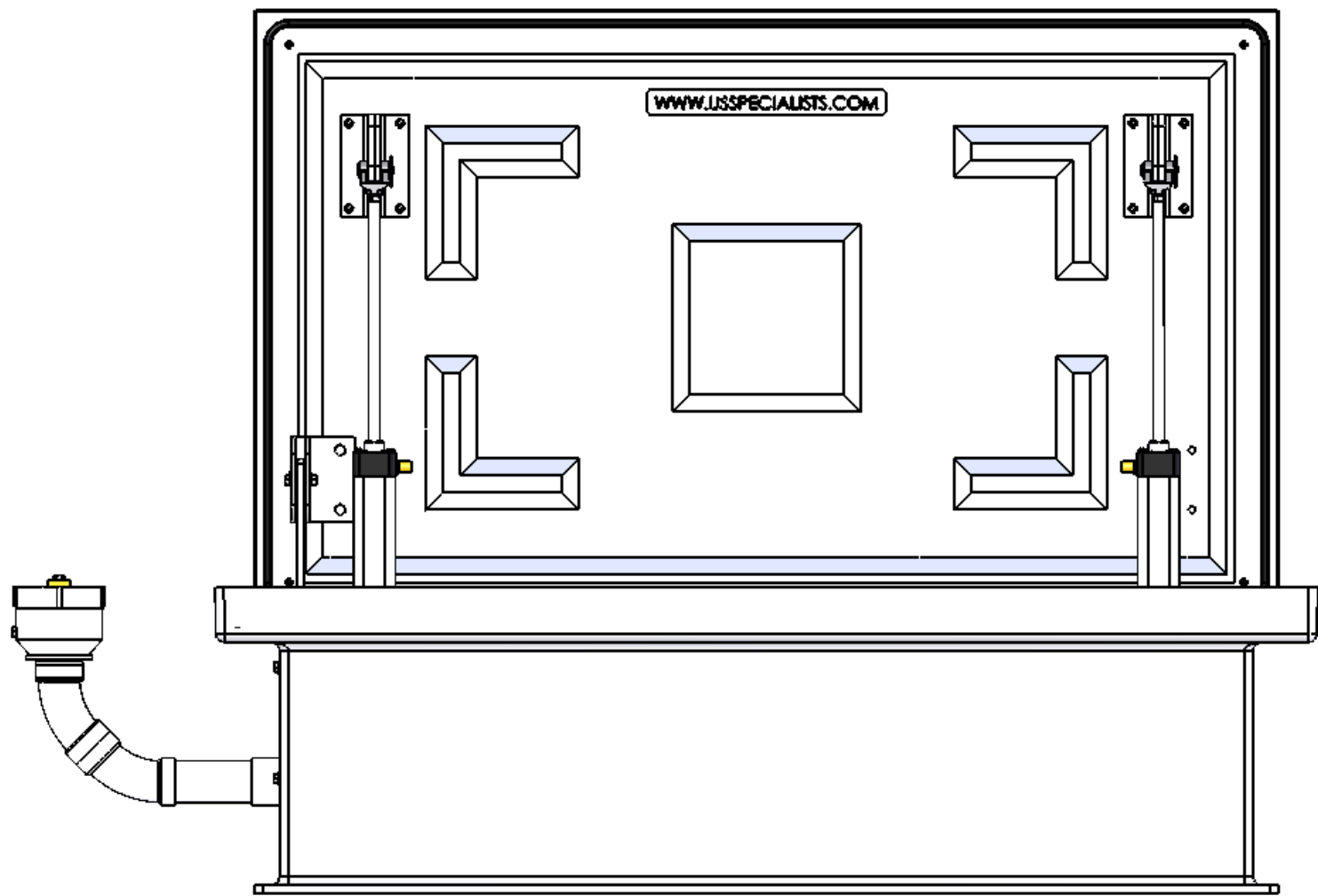


| | |
|-----------------|----------|
| APPROVALS | DATE |
| DRAWN DLL | 09-10-07 |
| CHECKED CDM | 09-10-07 |
| APPROVED CDM | 09-10-07 |
| SHEET 1 OF 2 | |
| SCALE: 1:18 | SIZE: B |

USS, INC.
 PHONE: (260) 693-1172 FAX: (260) 693-1178
 WEB SITE: WWW.USSPECIALISTS.COM

USS36X60S
32X56-18D
VA

THE INFORMATION ON THIS DRAWING IS PROPRIETARY AND IS NOT TO BE REVEALED TO THIRD PARTIES WITHOUT WRITTEN CONSENT OF A CORPORATE OFFICER OF USS, INC.



Utility Systems Specialists

| APPROVALS | DATE |
|-----------------|----------|
| DRAWN DLL | 09-10-07 |
| CHECKED CDM | 09-10-07 |
| APPROVED CDM | 09-10-07 |
| SHEET 2 OF 2 | |

SCALE: 1:10 SIZE: B

USS, INC.
 PHONE: (260) 693-1172 FAX: (260) 693-1178
 WEB SITE: WWW.USSPECIALISTS.COM

USS36X60S
32X56-18D
VA - ENLARGED

THE INFORMATION ON THIS DRAWING IS PROPRIETARY AND IS NOT TO BE REVEALED TO THIRD PARTIES WITHOUT WRITTEN CONSENT OF A CORPORATE OFFICER OF USS, INC.