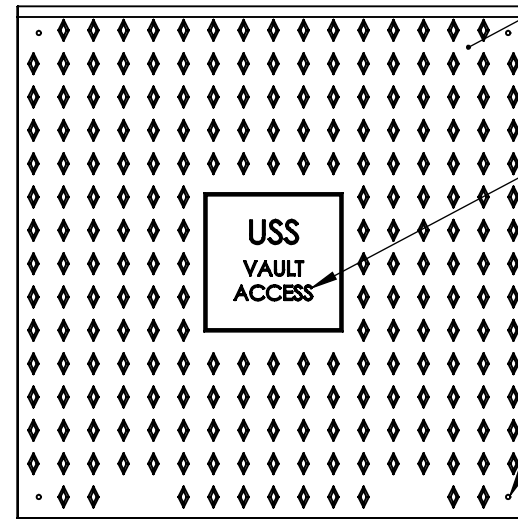


MACHINED ALUMINUM COVER FRAME

44.00 IN SQ OPENING

TOP VIEW

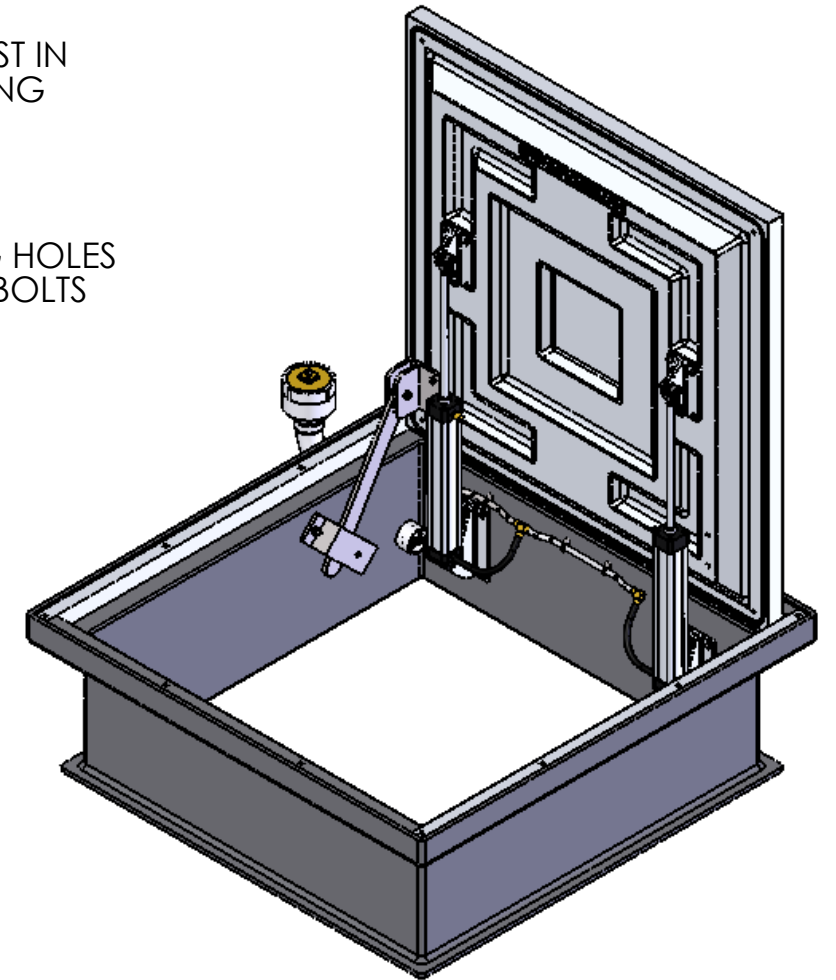


AIRCRAFT LOAD RATED CAST ALUMINUM COVER WITH NON-SKID PATTERN

INTEGRALLY CAST IN SERVICE LETTERING

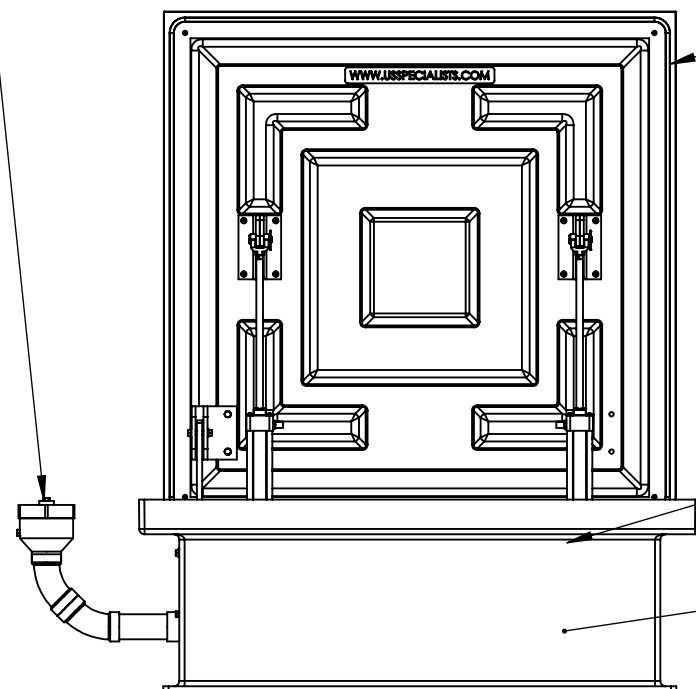
4X PICKING LUG HOLES FOR 1/2-13 EYE BOLTS

COVER VIEW



ISOMETRIC VIEW

HYDRAULIC DRY CONNECT

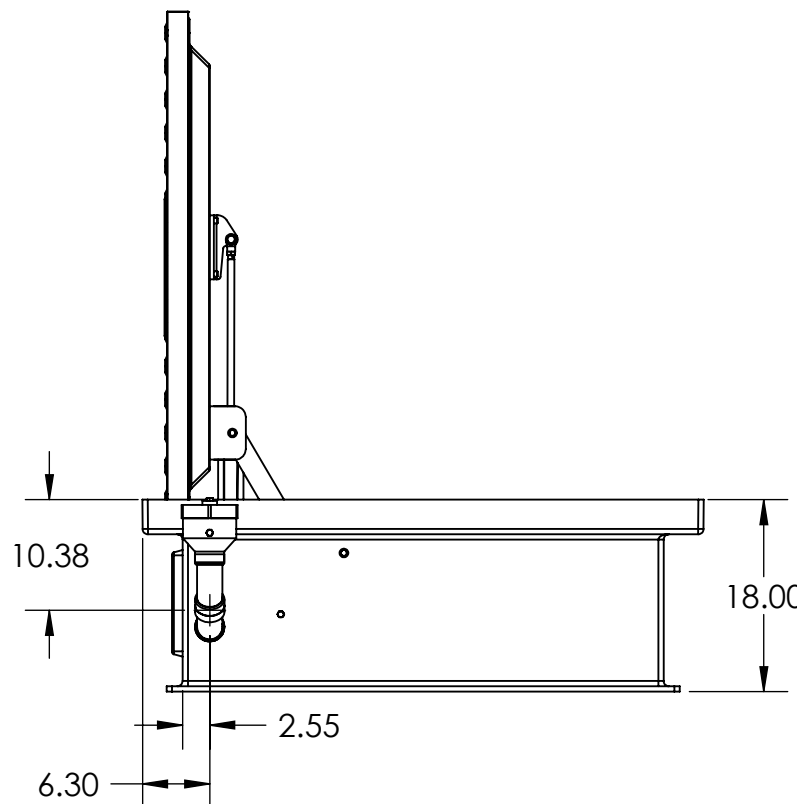


COVER SEAL

2X HYDRAULIC CYLINDERS

1/2 IN FIBERGLASS WITH INTERIOR/EXTERIOR GEL COATING

FRONT VIEW



SIDE VIEW



Utility Systems Specialists

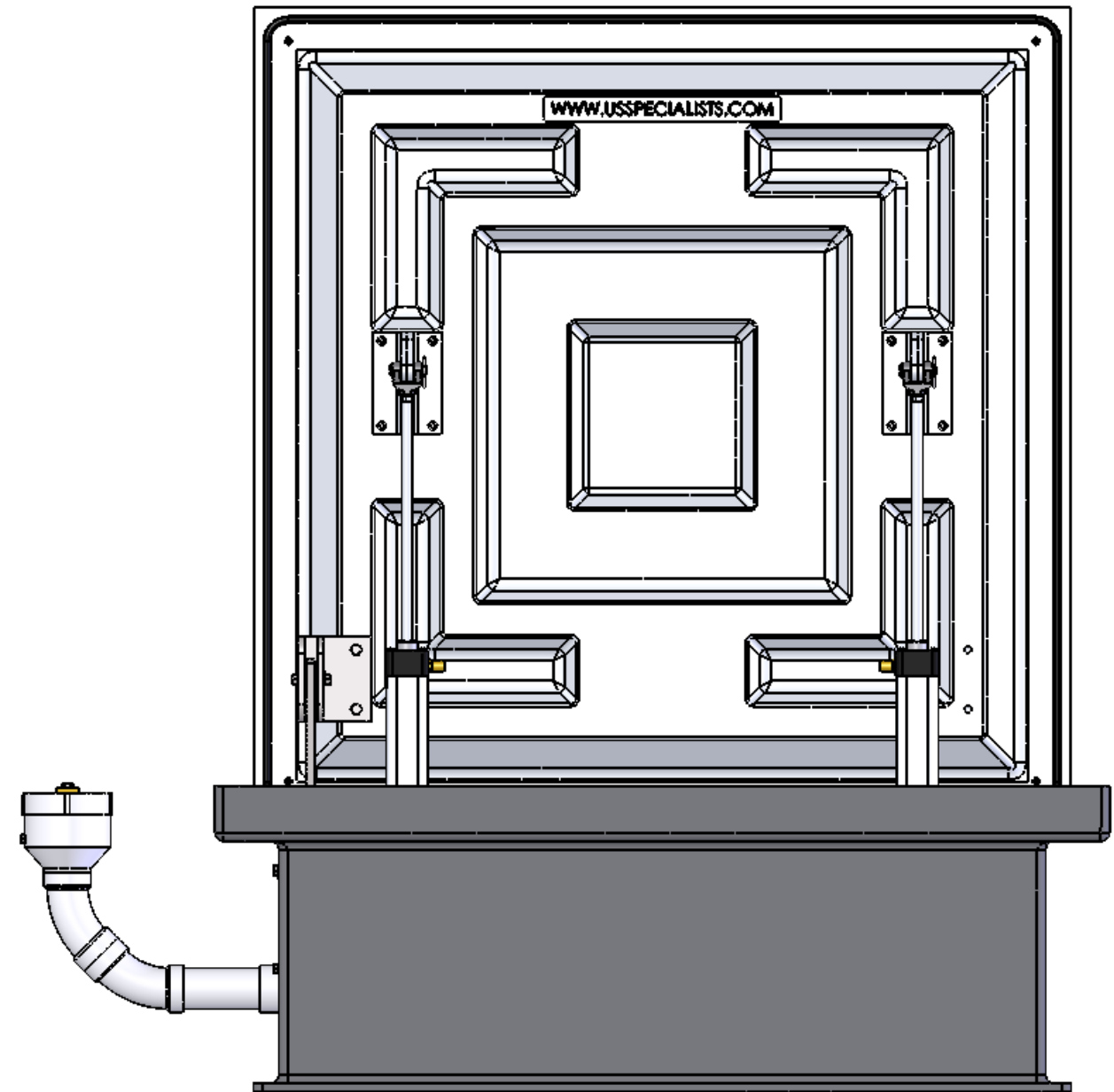
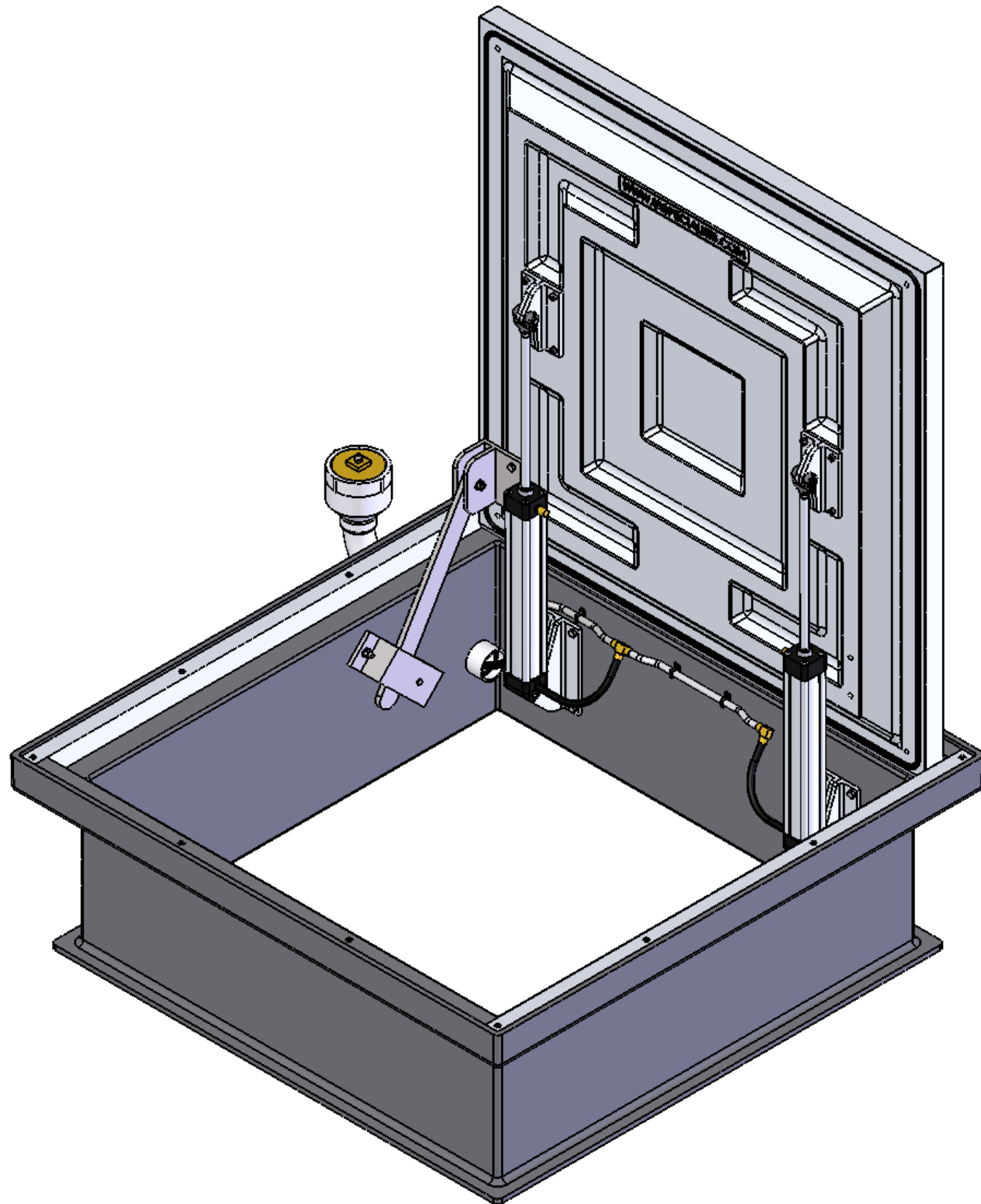
APPROVALS	DATE
DRAWN DLL	06-27-07
CHECKED CDM	06-27-07
APPROVED CDM	06-27-07
SHEET 1 OF 2	

SCALE: 1:18 SIZE: B

USS, INC.
 PHONE: (260) 693-1172 FAX: (260) 693-1178
 WEB SITE: WWW.USSPECIALISTS.COM

USS48S
44X44-18D-VA
THREE-VIEW WITH ISO

THE INFORMATION ON THIS DRAWING IS PROPRIETARY AND IS NOT TO BE REVEALED TO THIRD PARTIES WITHOUT WRITTEN CONSENT OF A CORPORATE OFFICER OF USS, INC.



APPROVALS	DATE
DRAWN DLL	06-27-07
CHECKED CDM	06-27-07
APPROVED CDM	06-27-07
SHEET 2 OF 2	

SCALE: 1:10 SIZE: B

USS, INC.
 PHONE: (260) 693-1172 FAX: (260) 693-1178
 WEB SITE: WWW.USSPECIALISTS.COM

USS48S
44X44-18D-VA
LARGE FRONT AND ISO VIEW

THE INFORMATION ON THIS DRAWING IS PROPRIETARY AND IS NOT TO BE REVEALED TO THIRD PARTIES WITHOUT WRITTEN CONSENT OF A CORPORATE OFFICER OF USS, INC.