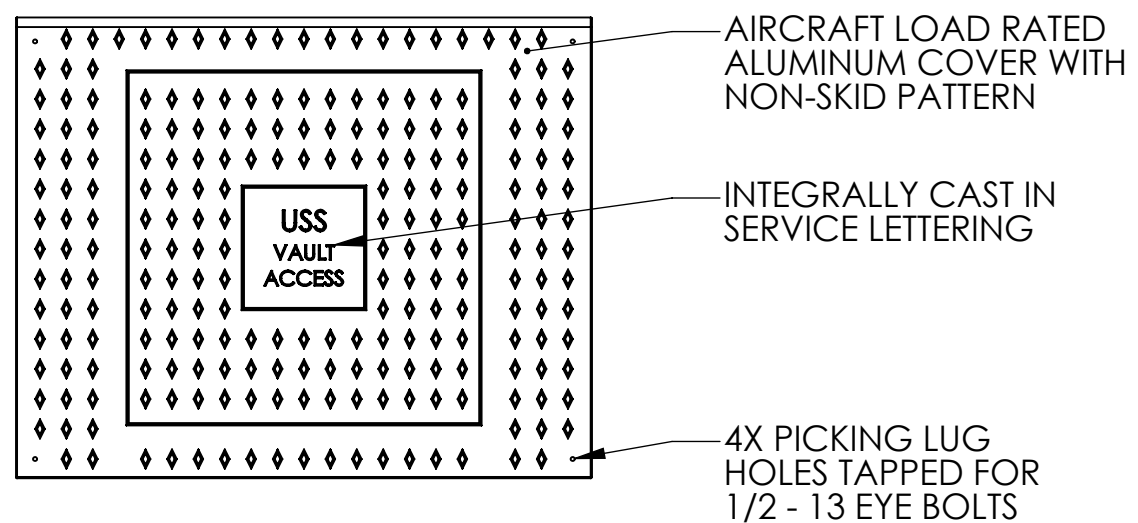
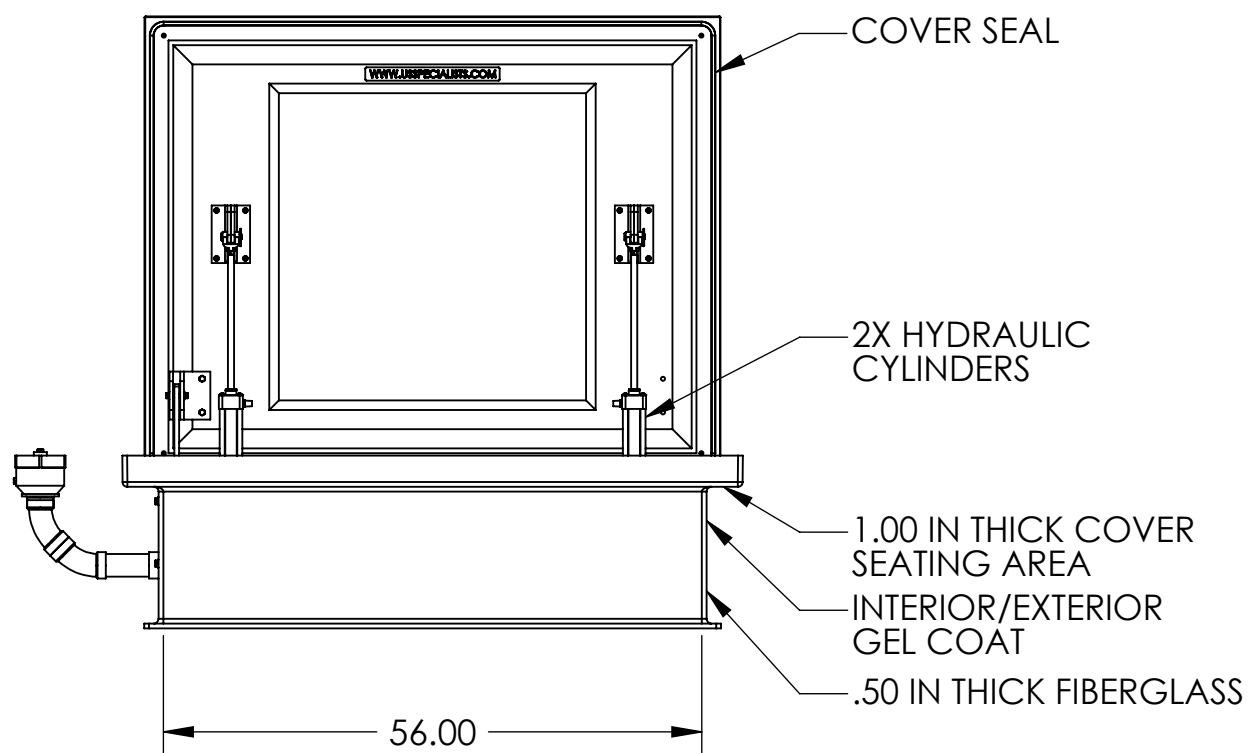


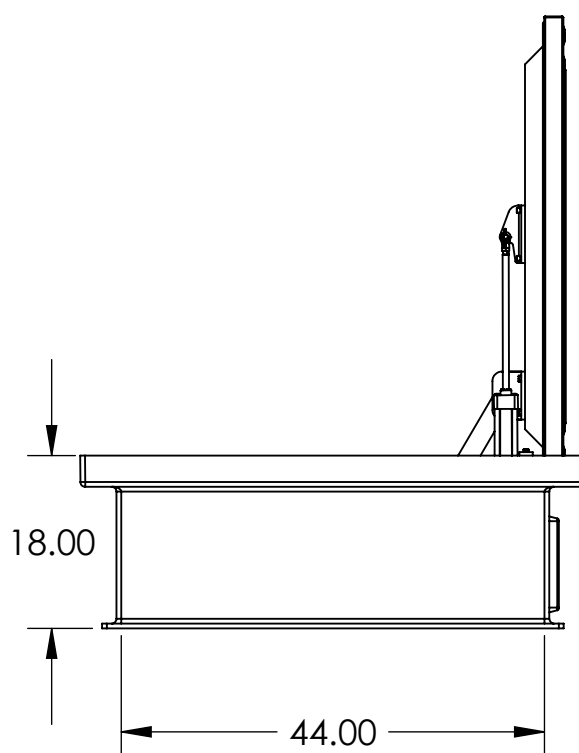
TOP VIEW



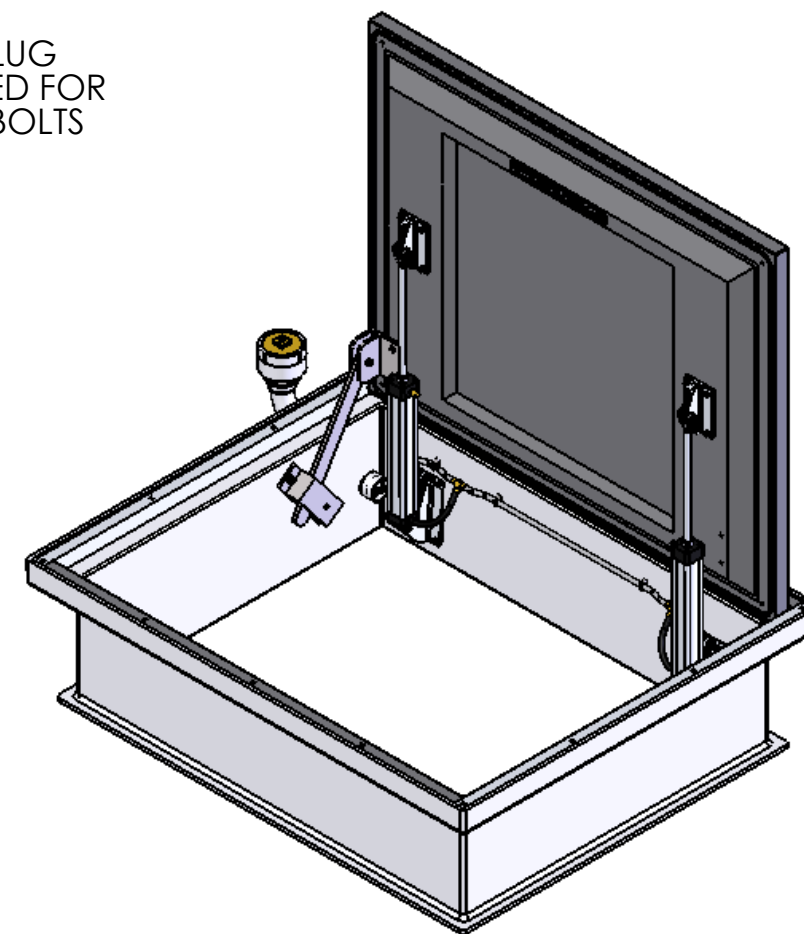
COVER VIEW



FRONT VIEW



SIDE VIEW



ISOMETRIC VIEW

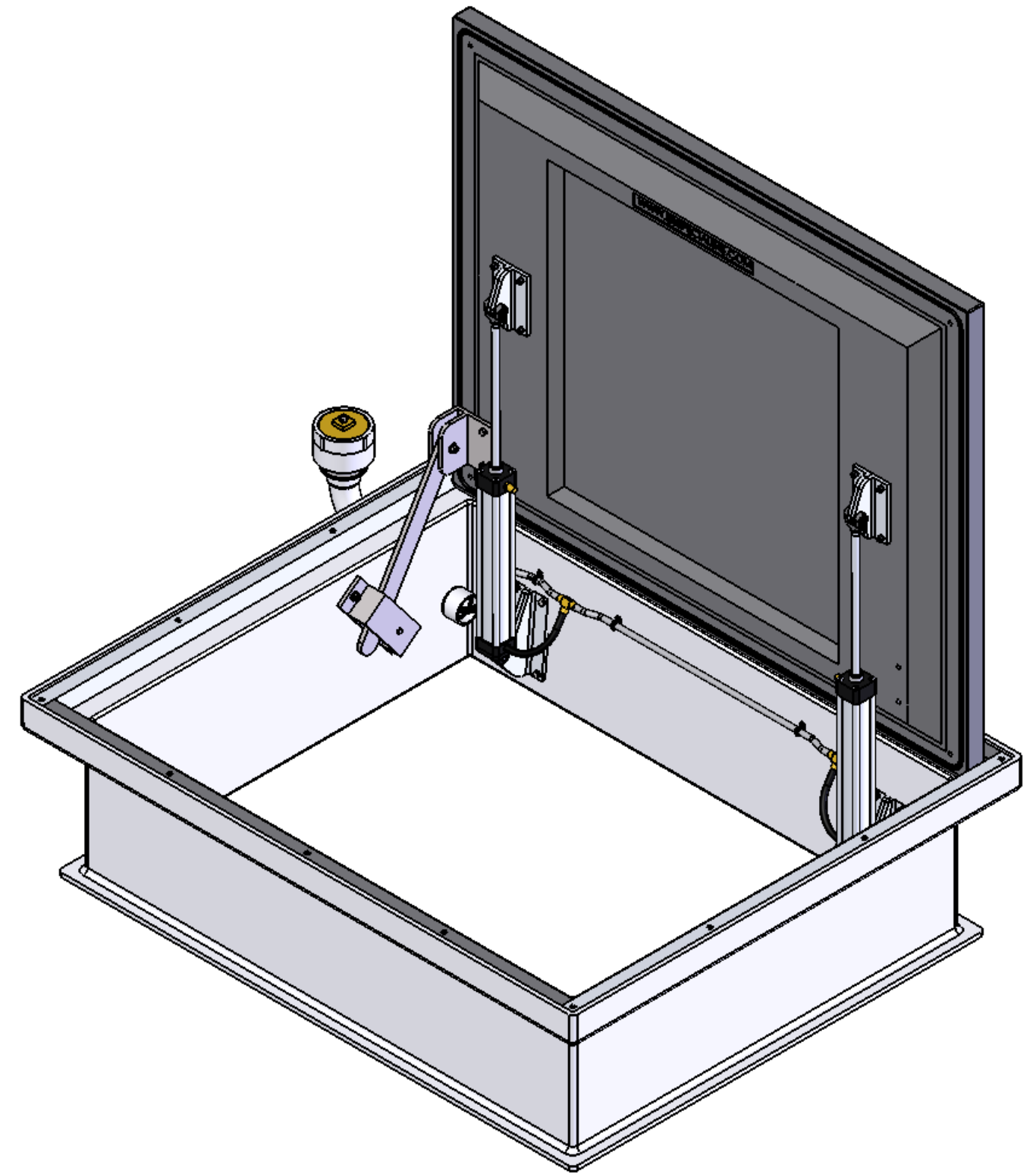
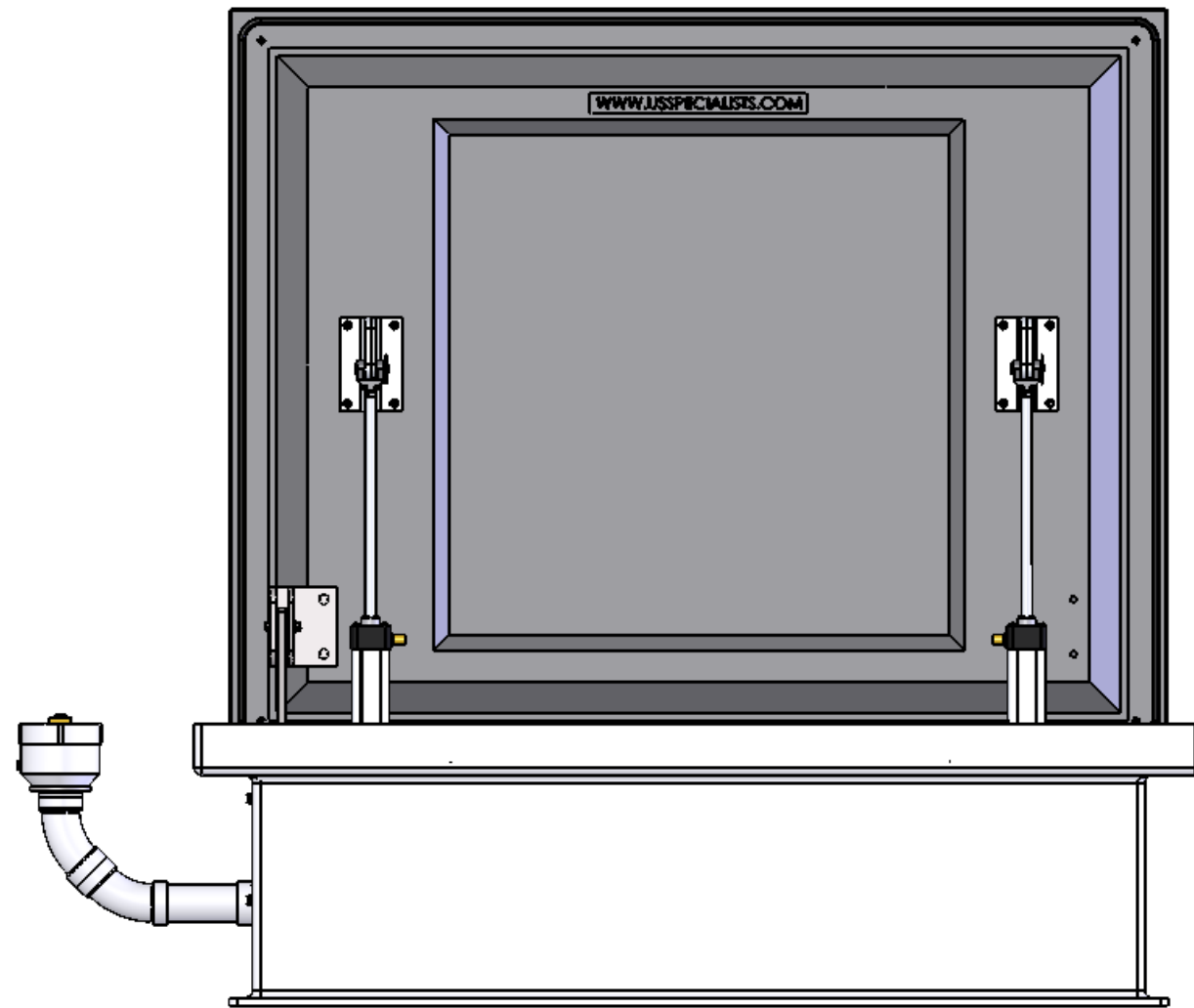


APPROVALS	DATE
DRAWN DLL	02-04-07
CHECKED CDM	02-04-07
APPROVED CDM	02-04-07
SHEET 1 OF 2	
SCALE: 1:20	SIZE: B

**USS, INC.**  
 PHONE: (260) 693-1172 FAX: (260) 693-1178  
 WEB SITE: WWW.USSPECIALISTS.COM

**USS48X60S**  
**44X56-24D**  
**VA**

THE INFORMATION ON THIS DRAWING IS PROPRIETARY AND IS NOT TO BE REVEALED TO THIRD PARTIES WITHOUT WRITTEN CONSENT OF A CORPORATE OFFICER OF USS, INC.



APPROVALS	DATE
DRAWN DLL	02-04-07
CHECKED CDM	02-04-07
APPROVED CDM	02-04-07
SHEET 2 OF 2	
SCALE: 1:12	SIZE: B

**USS, INC.**  
 PHONE: (260) 693-1172 FAX: (260) 693-1178  
 WEB SITE: WWW.USSPECIALISTS.COM

**USS48X60S**  
**44X56-24D**  
**VA - ENLARGED**

THE INFORMATION ON THIS DRAWING IS PROPRIETARY AND IS NOT TO BE REVEALED TO THIRD PARTIES WITHOUT WRITTEN CONSENT OF A CORPORATE OFFICER OF USS, INC.