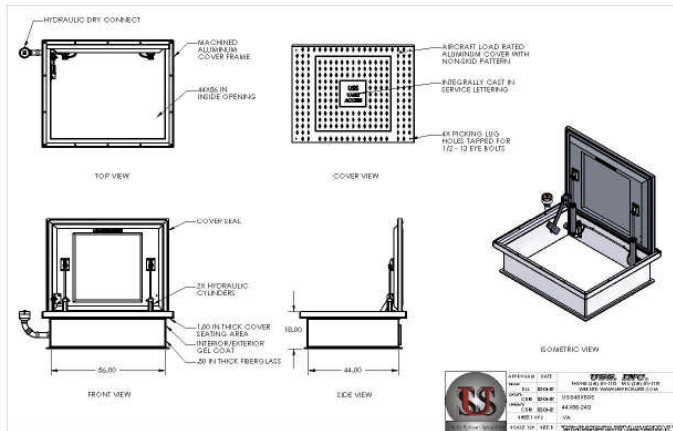
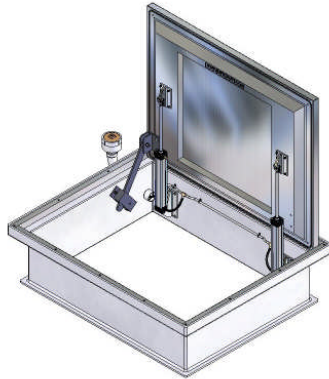


# Vault Access

USS48X60S-44X56-18D-VA



## Service Pit Applications

- Fuel - Hydrants, High/Low Points, Isolation, Surge
- Electrical - 50/60/400 Hertz and 28/72 Volt DC
- Air - Preconditioned, Compressed, and Engine Start
- Water - Fire Protection, Potable and Wash, Sump
- Specialty - Monitoring Wells and CP Access, Lavatory

## General Information

- USS, Inc. has assembled a team of manufacturers who have proven their ability to provide quality products delivered on schedule.
- Aircraft-Rated Covers are cast in a US foundry specializing in aluminum products for 70 years.
- Fiberglass Service Pits are manufactured by a US company focusing on production of fiberglass products for over 40 years.
- USS, Inc. provides the highest quality products and service at a competitive price with minimal use of proprietary components.

## Specifications



### Cover

- Cast Aluminum A356.2 with T-6 Heat Treat.
- Federal Specification QQ-A-601F.
- Military Specification H-6088F.
- Prototype Covers certified by an independent laboratory tested to 200,000 lbs.; (36" and smaller covers) tested over a 200 sq. in. area and larger covers over (2) 200 sq. in. areas.

Model	Dimension
USS24	24"X 24"
USS24(12)	24"X 24" with 12" Cover
USS36	36"X 36"
USS36(12)	36"X 36" with 12" Cover
USS36X60	36"X 60"
USS48	48"X 48"
USS48X60	48"X 60"

- Load-Bearing surface flat to within 0.050".
- Identifying Service Lettering as applicable.
- Hydraulic Cylinders open the cover and dampen movement during closure.
- No visible shrink porosity cavities allowed; welds or fillers are permitted to repair any smaller than 0.25" diameter.

### Cover Seal

- Resistant to common airport chemicals.
- Reduces fluid entry due to surface water flow across cover.
- Ozone/UV resistant with field life of one year.

### Fiberglass Pit

- 1/2" thick walls with 1" thick setting area.
- Internal and external gel coat reduces fraying and wicking.

### Optional

- Access Ladder.
- Safety Hold-Open Latch.
- Safety Step-Down Platform.
- Cover centers painted with Safety Colors.

**USS, Inc.**

9745 East State Road 205-57  
Churubusco, IN 46723

Phone: (260) 693-1172  
FAX: (260) 693-1178  
E-Mail: [carl@usspecialists.com](mailto:carl@usspecialists.com)  
Website: [www.usspecialists.com](http://www.usspecialists.com)